

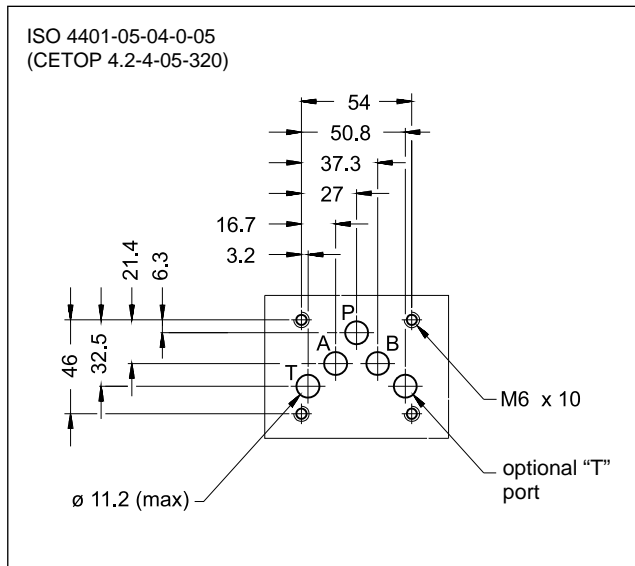
DSE5G*

PROPORTIONAL DIRECTIONAL CONTROL VALVE WITH INTEGRATED ELECTRONICS

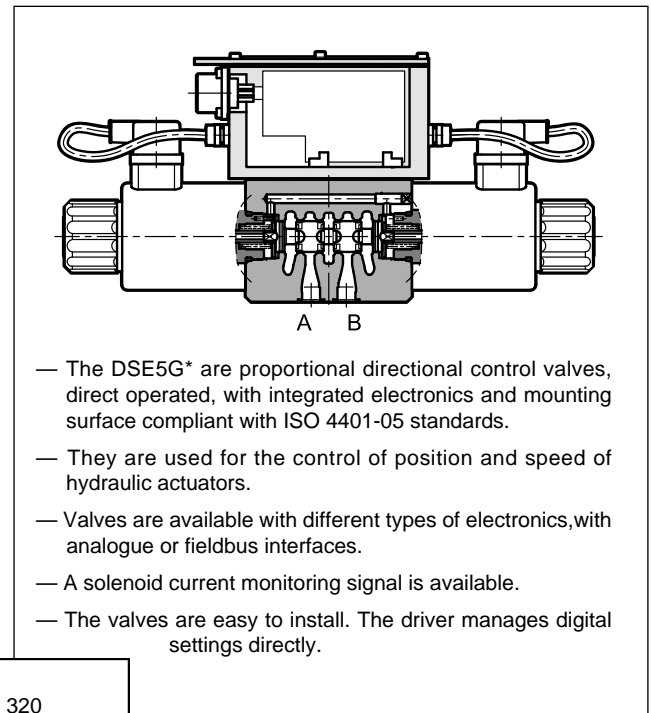
**SUBPLATE MOUNTING
ISO 4401-05**

**p max 320 bar
Q max 90 l/min**

MOUNTING SURFACE



OPERATING PRINCIPLE

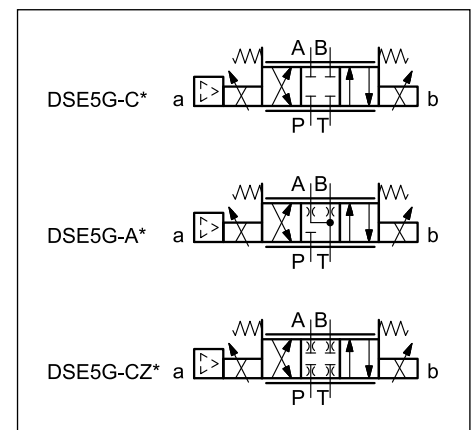


PERFORMANCES

(obtained with mineral oil with viscosity of 36 cSt at 50 °C and p = 140 bar)

Maximum operating pressure: - P - A - B ports - T port	bar	320 140
Maximum flow with Δp 10 bar P-T	l/min	30 - 60
Response times	see point 7	
Hysteresis	% of Q max	< 3%
Repeatability	% of Q max	< $\pm 1\%$
Electrical characteristics	see point 3	
Ambient temperature range	°C	-20 / +60
Fluid temperature range	°C	-20 / +80
Fluid viscosity range	cSt	10 ÷ 400
Fluid contamination degree	According to ISO 4406:1999 class 18/16/13	
Recommended viscosity	cSt	25
Mass: single solenoid valve double solenoid valve	kg	5.0 6.5

HYDRAULIC SYMBOLS (typical)



1 - IDENTIFICATION CODE

1.1 - Standard electronics

	D	S	E	5	G	-			/	31	-	K11	/	
--	----------	----------	----------	----------	----------	---	--	--	---	-----------	---	------------	---	--

Direct operated directional valve

Electric proportional control

Size ISO 4401-05

Standard electronics for open loop

Spool type: _____
C = closed centre
A = open centre
CZ = with software overstep of the overlap

Nominal flow rate of the spool (see table p. 1.3)

Solenoid position (omit for double solenoid valve):
SA = one solenoid on side A

Option:
/ W7 = zinc-nickel surface treatment (see p. 1.2)
 Omit if not required.

Option:
 manual override (see point 11)

Pin C function:
A = external enable
B = internal enable
C = 0V monitor

Connection: 6 pin + PE

Reference signal:
E0 = voltage ±10 V
E1 = current 4 ÷ 20 mA

Seals:
N = NBR seals for mineral oil (**standard**)
V = FPM seals for special fluids

Series No.
 (the overall and mounting dimensions remain unchanged from 30 to 39)

1.2 - Surface treatments

The standard valve is supplied with surface treatment of phosphating black. The zinc-nickel finishing on the valve body makes the valve suitable to ensure a salt spray resistance up to 240 hours. (test operated according to UNI EN ISO 9227 standards and test evaluation operated according to UNI EN ISO 10289 standards).

1.3 - Available configurations

The valve configuration depends on the combination of the following elements:
 number of proportional solenoids, spool type, rated flow.

Configuration 2 solenoids :
 3 positions with spring centreing

Configuration 1 solenoid on side A "SA":
 2 positions (central + external) with spring centreing

	Controlled flow with Δp 10 bar P-T
30	30 l/min
60	60 l/min
60/30	60 (P-A) / 30 (P-B) l/min

2 - ELECTRONICS COMMON DATA

Duty cycle		100% (continuous operation)
Protection class according to EN 60529		IP65/IP67 (NOTE)
Supply voltage	V DC	24 (from 19 to 30 VDC), ripple max 3 Vpp
Power consumption	VA	40
Maximum solenoid current	A	2.8
Fuse protection, external	A	3
Managed breakdowns		Overload and electronics overheating, cable breakdown, supply voltage failures
Electromagnetic compatibility (EMC) emissions EN 61000-6-4, immunity EN 61000-6-2		According to 2014/30/EU standards

NOTE: The IP degree is guaranteed only with mating connector of equivalent IP degree, installed and tightened correctly. Moreover, on the GH versions it is necessary to protect any unused connections with caps.

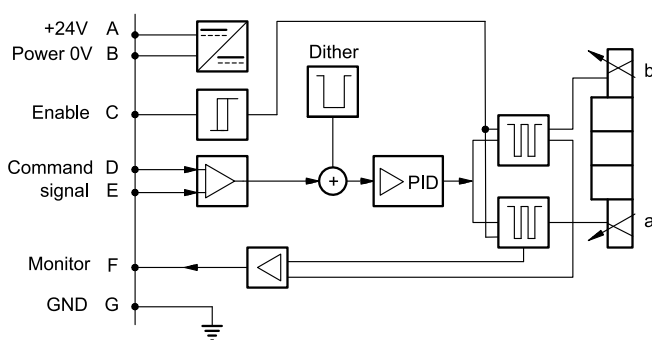
3 - DSE5G - STANDARD ELECTRONICS

3.1 - Electrical characteristics

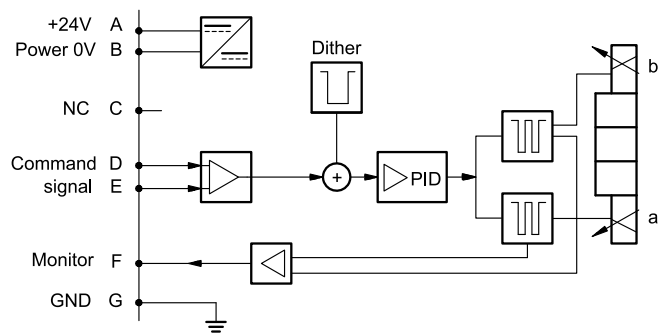
Command signal: voltage (E0) current (E1)	V DC mA	± 10 (impedance $R_i > 11 \text{ k}\Omega$) $4 \div 20$ (impedance $R_i = 58 \text{ }\Omega$)
Monitor signal (current to solenoid): voltage (E0) current (E1)	V DC mA	± 10 (impedance $R_o > 1 \text{ k}\Omega$) $4 \div 20$ (impedance $R_o = 500 \text{ }\Omega$)
Communication for diagnostic		LIN-bus Interface (by means of the optional kit)
Connection		6 pin + PE (MIL-C-5015-G - DIN EN 175201-804)

3.2 - On-board electronics diagrams

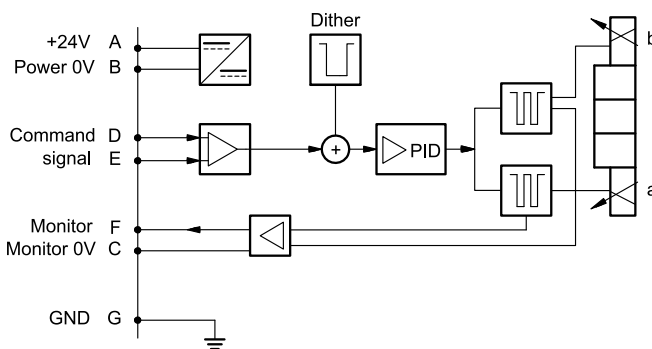
VERSION A - External Enable



VERSION B - Internal Enable

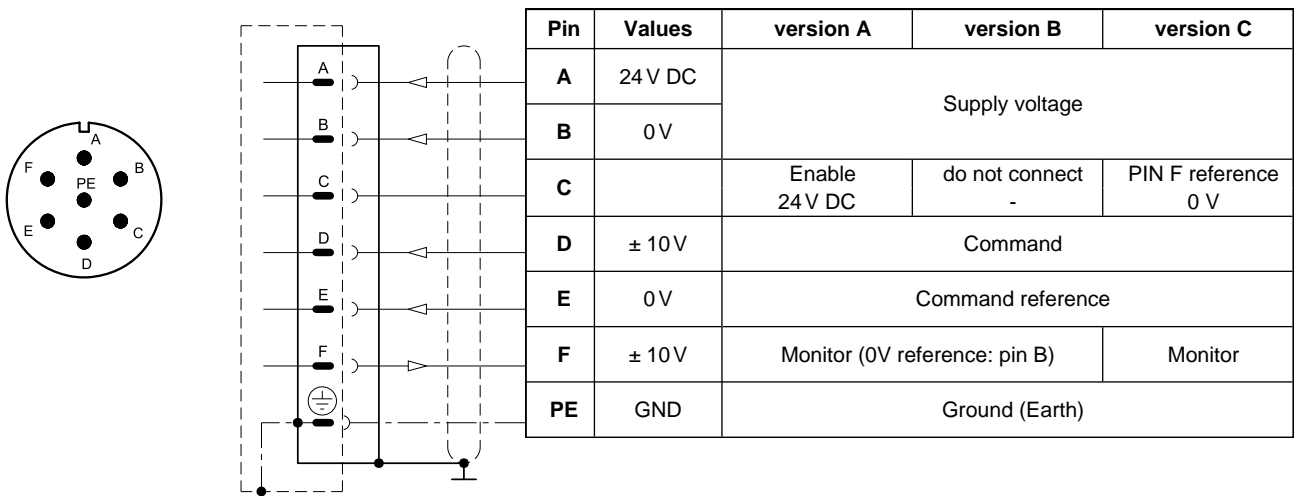
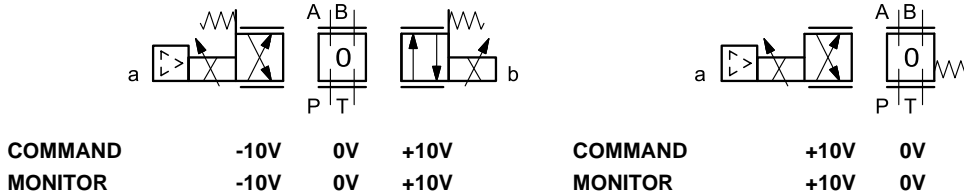


VERSION C - 0V Monitor



3.3 - Versions with voltage command (E0)

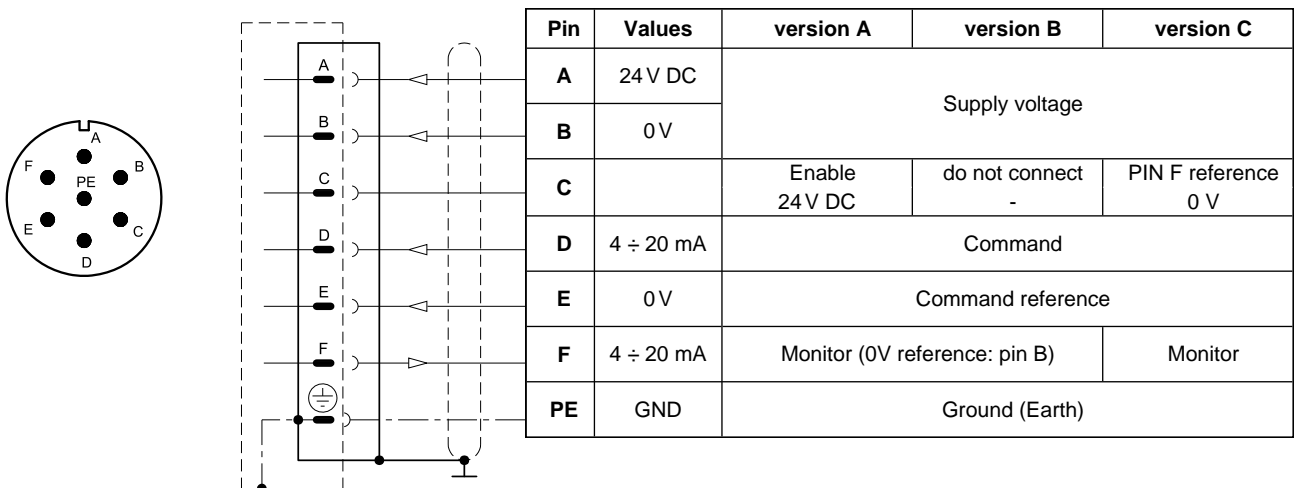
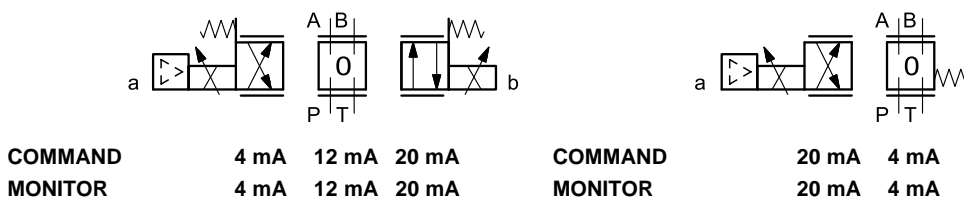
The reference signal is between -10V and +10V on double solenoid valve, and 0 ÷ 10V on single solenoid valve SA. The monitor feature of versions B and C becomes available with a delay of 0.5 sec from the power-on of the card.



3.4 - Versions with current command (E1)

The reference signal is supplied in current 4 ÷ 20 mA. If the current for command is lower, the card shows a breakdown cable error. To reset the error is sufficient restoring the signal.

The monitor feature of versions B and C becomes available with a delay of 0.5 sec from the power-on of the card.



4 - DSE5GL - COMPACT ELECTRONICS

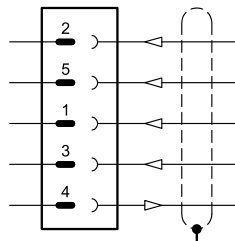
In IO-Link networks, the length of the connecting cables is limited to 20 metres. In CA versions, pin 3 and pin 5 are galvanic isolated up to 100 V to avoid earth loops.

4.1 - Electrical characteristics

Command signal: voltage (E0) current (E1)	V DC mA	± 10 (impedance $R_i > 11$ kOhm) $4 \div 20$ (impedance $R_i = 58$ Ohm)
Monitor signal (current to solenoid): voltage (E0) current (E1)	V DC mA	$0 \div 5$ (impedance $R_o > 1$ kOhm) $4 \div 20$ (impedance $R_o = 500$ Ohm)
IO-Link communication (IOL): Data rate	kBaud	IO-Link Port Class B 230,4
Can Open communication (CA): Data rate	kbit	$10 \div 1000$
Connection		5-pin M12 code A (IEC 61076-2-101)

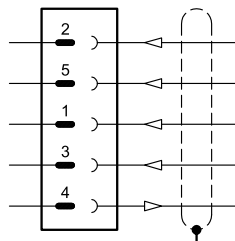
4.2 - Pin tables

'E0' connection



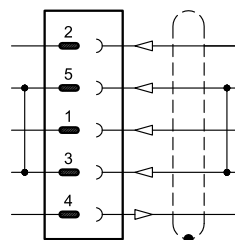
Pin	Values	Function
2	24 V DC	Supply voltage (solenoid and logic)
5	0 V	
1	± 10 V	Command
3	0 V	Command reference
4	$0 \div 5$ V	Monitor (0V reference: pin 5)

'E1' connection



Pin	Values	Function
2	24 V DC	Supply voltage (solenoid and logic)
5	0 V	
1	$4 \div 20$ mA	Command
3	0 V	Command reference
4	$4 \div 20$ mA	Monitor (0V reference: pin 5)

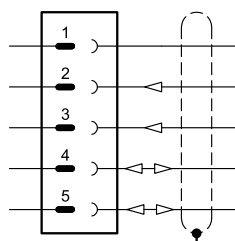
'IOL' connection



Pin	Values	Function
2	2L+ 24 V DC	Solenoid supply voltage
5	2L- 0 V (GND)	
1	1L+ +24 V DC	Logic and IO-Link supply voltage
3	1L- 0 V (GND)	
4	C/Q	IO-Link Communication

NOTE: Pin 3 and pin 5 are linked with each other in the valve electronics. The reference potentials 1L- and 2L- of the two supply voltages must also be linked with each other on the customer side.

'CA' connection



Pin	Values	Function
1	CAN_SH	Shield
2	24 V DC	Supply voltage
3	0 V (GND)	
4	CAN H	Bus line (high)
5	CAN_L	Bus line (low)

5 - DSE5GH - FIELDBUS ELECTRONICS

The 11+ PE pin connection allows separate supply voltage for electronics and solenoids.

Command - valve position schemes as for the standard electronics. Please refer to pictures in points 3.3 and 3.4.

5.1 - Electrical characteristics

Command signal: voltage (E0) current (E1) digital (FD)	V DC mA	± 10 (impedance $R_i > 11$ kOhm) $4 \div 20$ (impedance $R_i = 58$ Ohm) via fieldbus
Monitor signal (current to solenoid): voltage (E0) current (E1)	V DC mA	± 10 (impedance $R_o > 1$ kOhm) $4 \div 20$ (impedance $R_o = 500$ Ohm)
Communication / diagnostic		via Bus register
Communication interface standard		IEC 61158
Communication physical layer		fast ethernet, insulated 100 Base TX
Power connection		11 pin + PE (DIN 43651)

5.2 - X1 Main connection pin table

D1: one command

Pin	Values	Function
1	24 V DC	Main supply voltage
2	0 V	
3	24V DC	Enable
4	± 10 V (E0) $4 \div 20$ (E1)	Command
5	0 V	Command reference signal
6	± 10 V (E0) $4 \div 20$ (E1)	Monitor (0V reference pin 10)
7	NC	do not connect
8	NC	do not connect
9	24 V DC	Logic and control supply
10	0 V	
11	24 V DC	Fault (0V DC) or normal working (24V DC) (0V reference pin 2)
12	GND	Ground (Earth)

D0: full digital

Pin	Values	Function
1	24 V DC	Main supply voltage
2	0 V	
3	24V DC	Enable
4	NC	do not connect
5	NC	do not connect
6	NC	do not connect
7	NC	do not connect
8	NC	do not connect
9	24 V DC	Logic and control supply
10	0 V	
11	24 V DC	Fault (0V DC) or normal working (24V DC) (0V ref. pin 2)
12	GND	Ground (Earth)

5.3 - FIELDBUS connections

Please wire following guidelines provided by the related standards communication protocol. Any connections present and not used must be protected with special caps so as not to nullify the protection against atmospheric agents.

X2 (IN) connection: M12 D 4 pin female



Pin	Values	Function
1	TX+	Transmitter
2	RX+	Receiver
3	TX-	Transmitter
4	RX-	Receiver
HOUSING	shield	

X3 (OUT) connection: M12 D 4 pin female



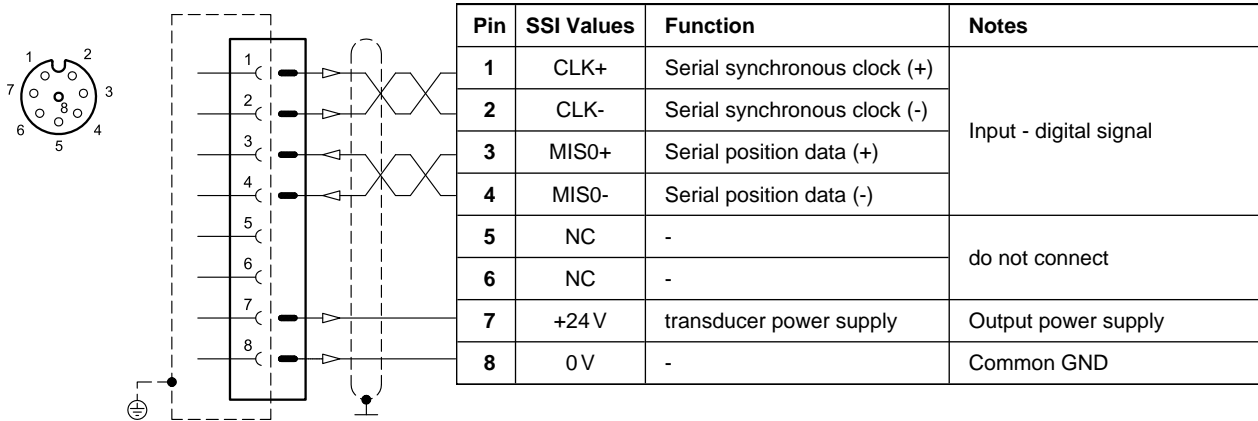
Pin	Values	Function
1	TX+	Transmitter
2	RX+	Receiver
3	TX-	Transmitter
4	RX-	Receiver
HOUSING	shield	

NOTE: Shield connection on connector housing is recommended.

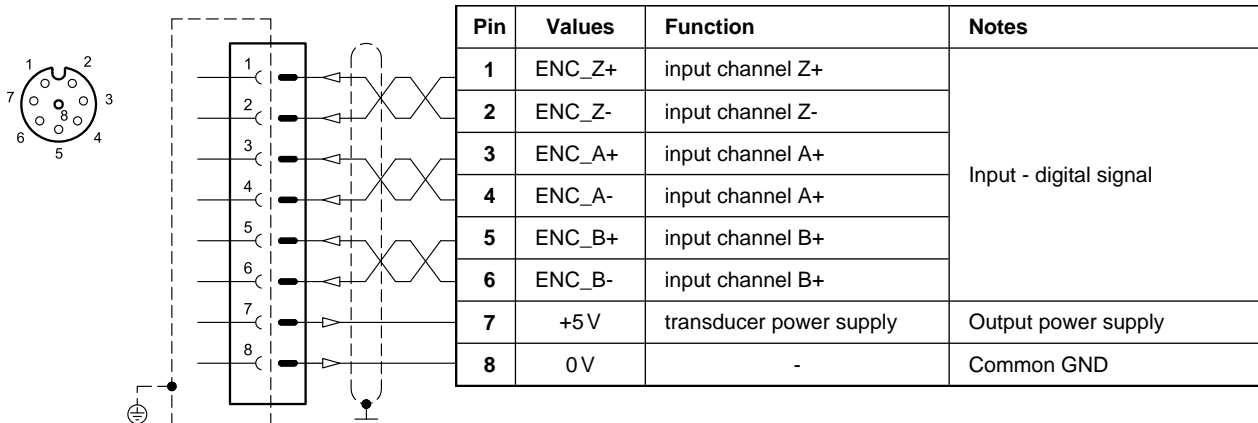
5.4 - Digital transducer connection

X7 connection: M12 A 8 pin female

VERSION 1: SSI type



VERSION 2: ENCODER type

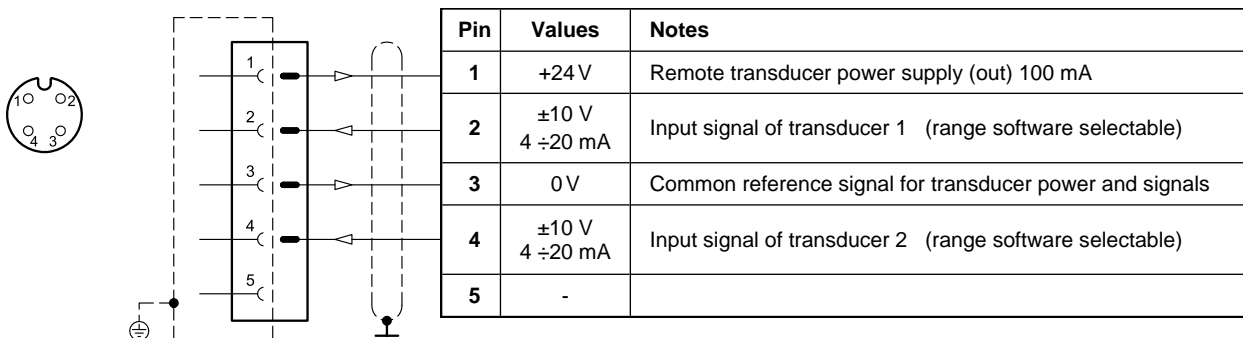


5.5 - Analogue transducer connection

X4 connection: M12 A 4 pin female

VERSION 1: single / double transducer

(single or double is a software-selectable option)



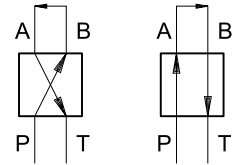
6 - CHARACTERISTIC CURVES

(obtained with mineral oil with viscosity of 36 cSt at 50°C and $p = 140$ bar)

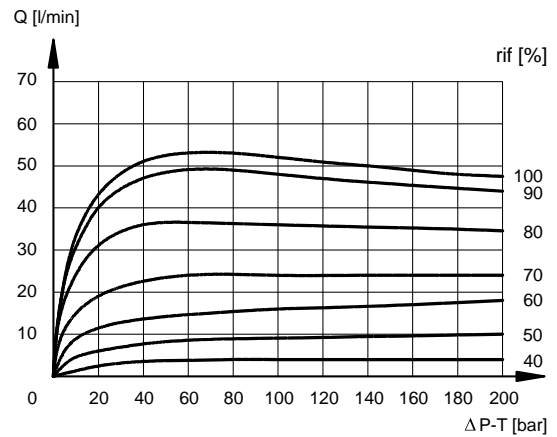
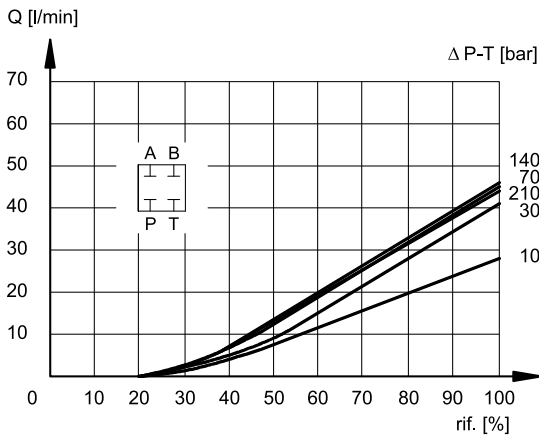
Typical flow rate curves at constant Δp related to the reference signal and measured for the available spools.

The curves are obtained with a constant meter-in with Δp of 5 bar and by setting the value of flow start at 20% of the reference signal.

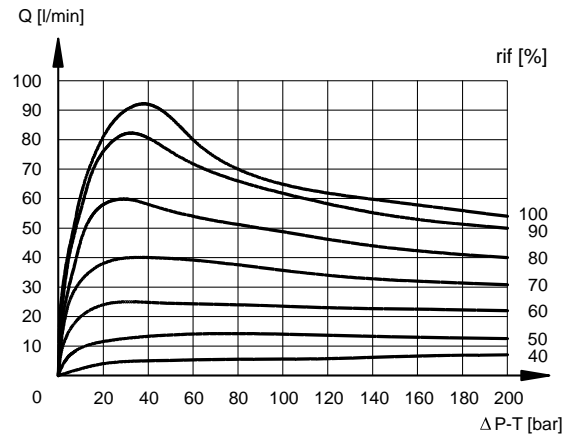
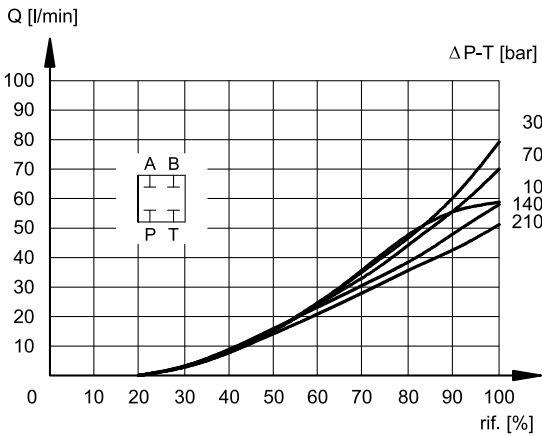
NOTE: for spools with overlap jump (Z), please refer to the characteristic curves of spools C type, considering that the starting flow rate value is approx. 150 mV.



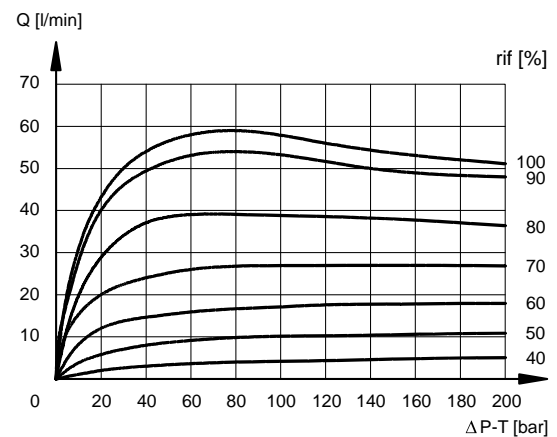
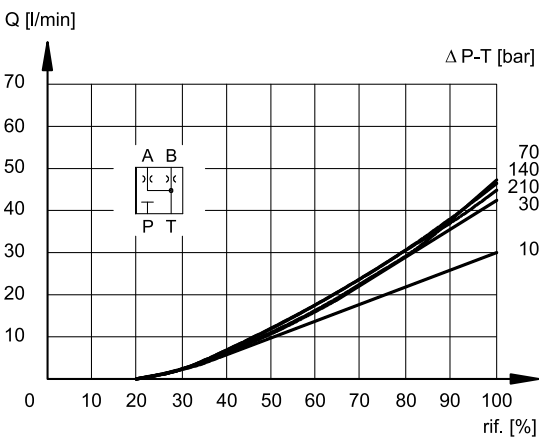
SPOOL TYPE C30



SPOOL TYPE C60

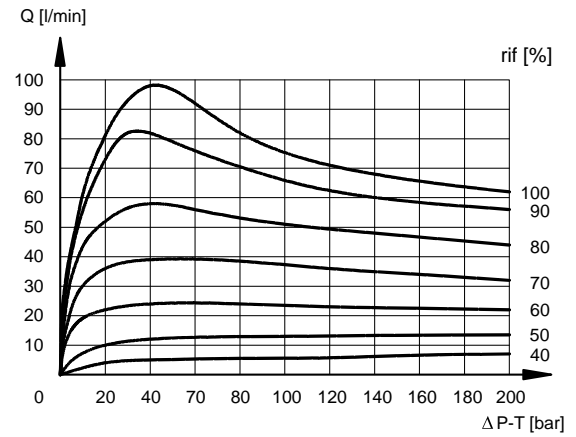
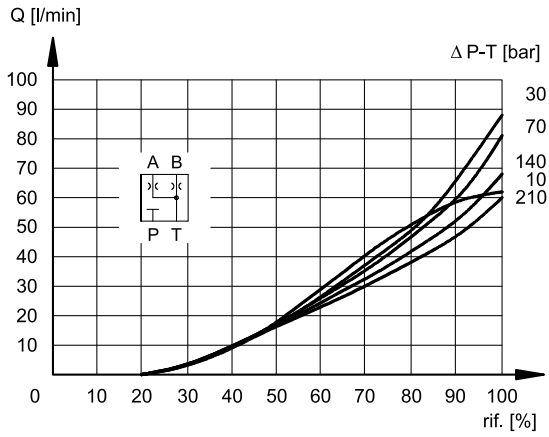


SPOOL TYPE A30



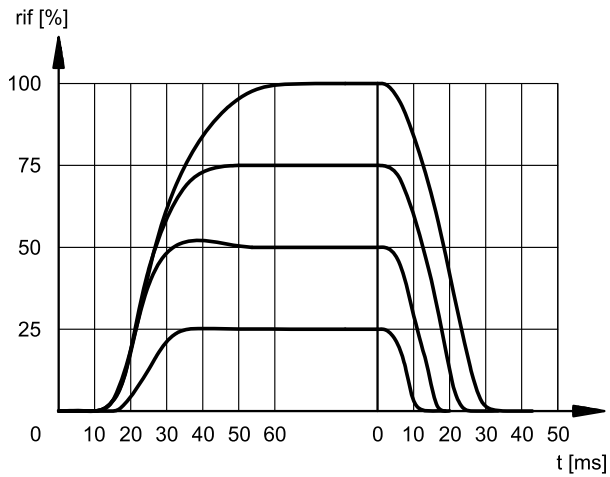


SPOOL TYPE A60

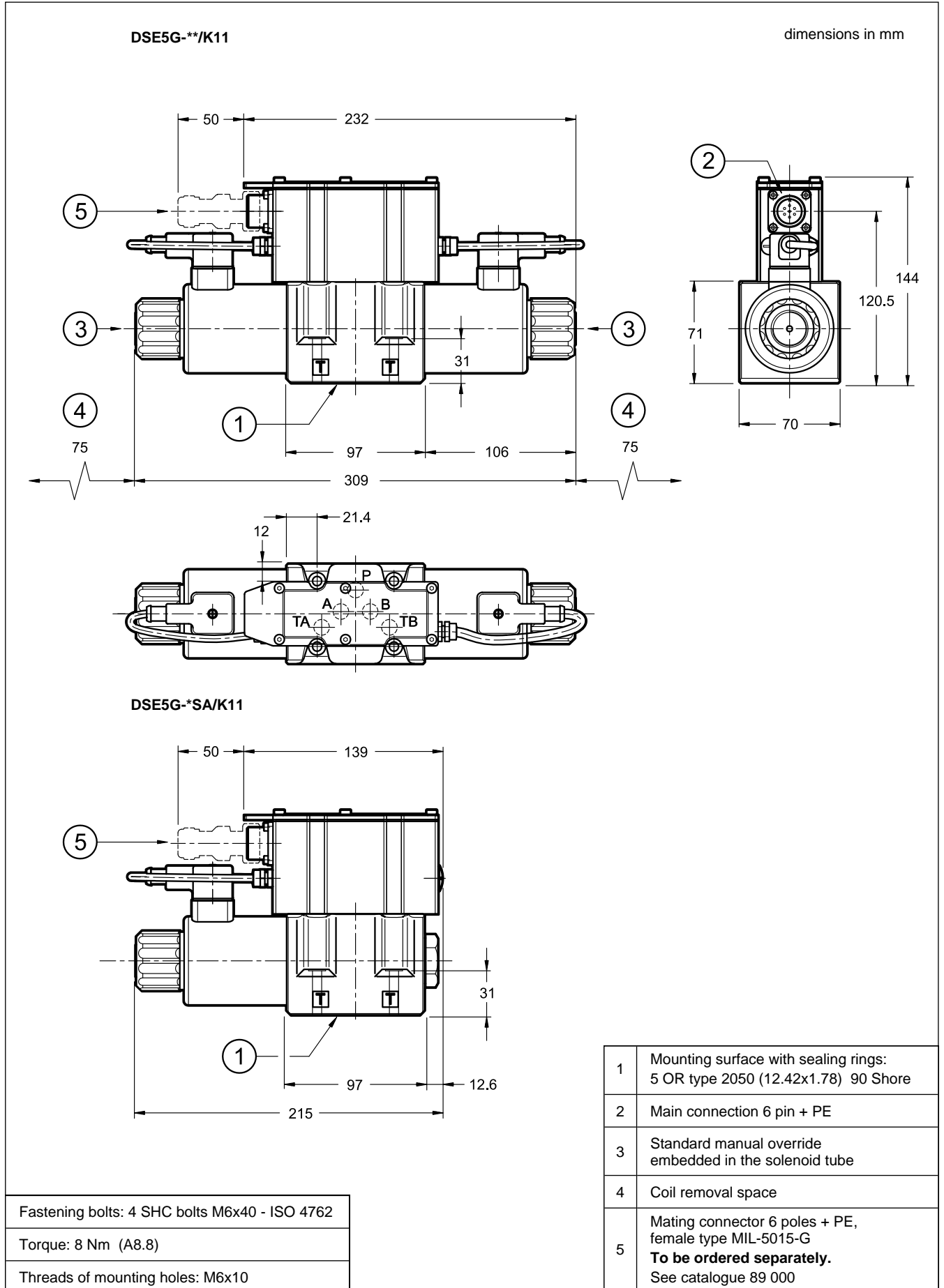


7 - RESPONSE TIMES

(obtained with mineral oil with viscosity of 36 cSt at 50°C and p = 140 bar)



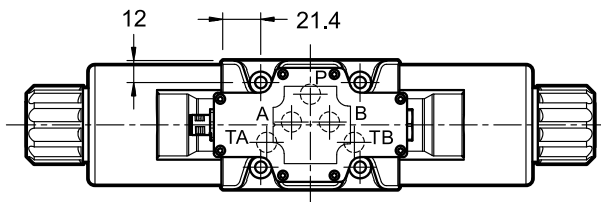
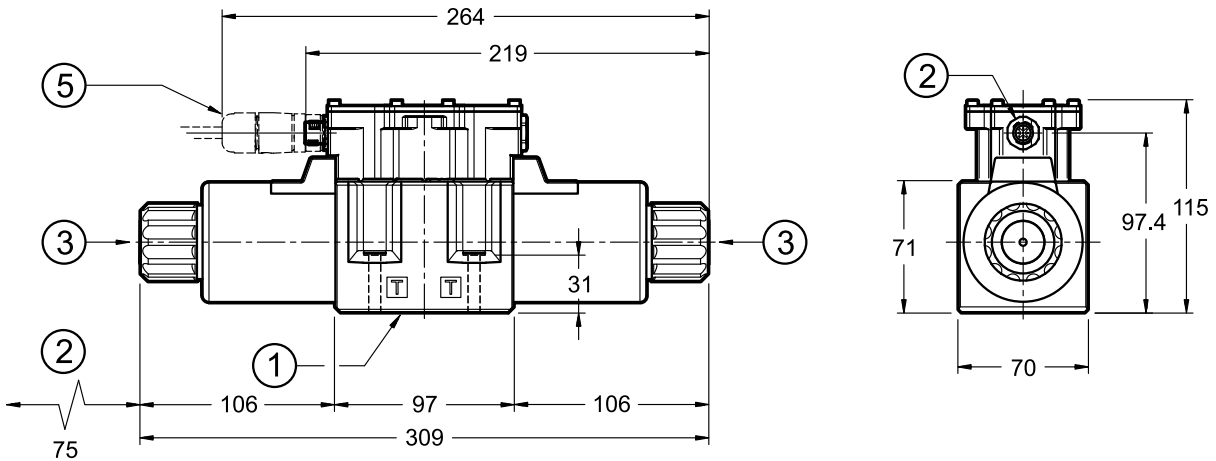
8 - DSE5G - OVERALL AND MOUNTING DIMENSIONS



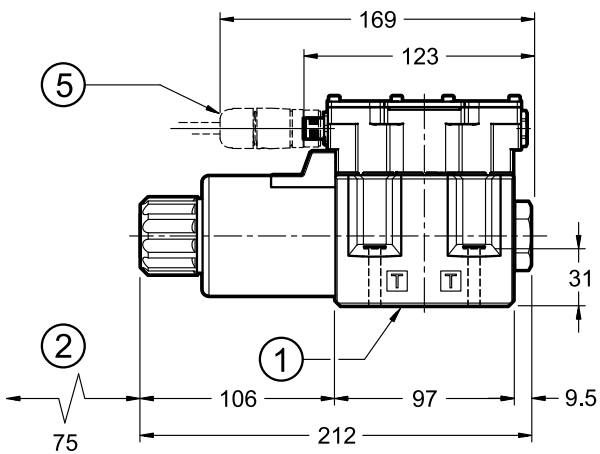
9 - DSE5GL - OVERALL AND MOUNTING DIMENSIONS

dimensions in mm

DSE5GL-*/K12



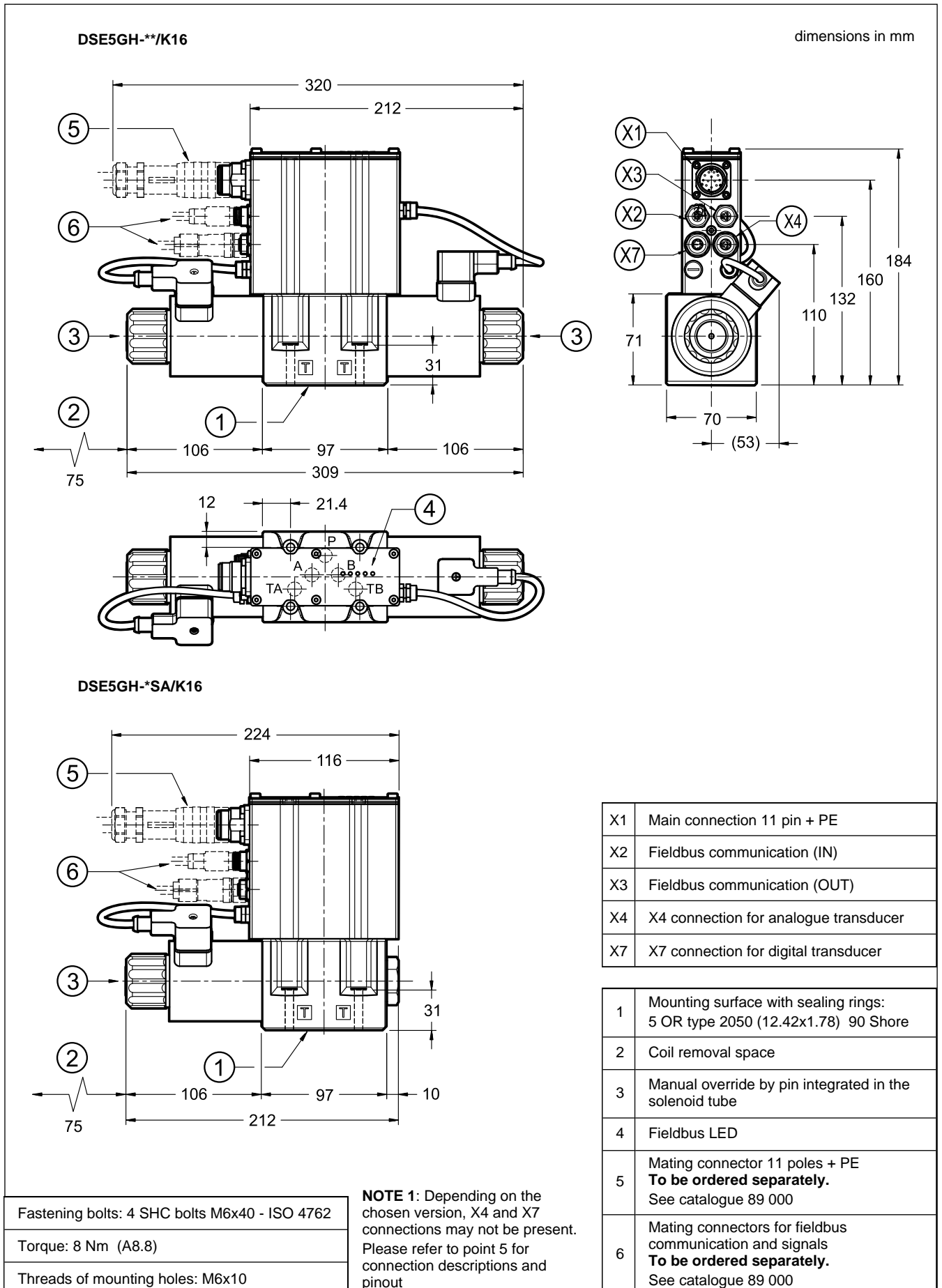
DSE5GL-*/SA/K12



1	Mounting surface with sealing rings: 5 OR type 2050 (12.42x1.78) 90 Shore
2	Connection M12 A 5 pin
3	Standard manual override embedded in the solenoid tube
4	Coil removal space
5	Mating connector M12 5 poles - code A, female To be ordered separately. See catalogue 89 000

Fastening bolts: 4 SHC bolts M6x40 - ISO 4762
Torque: 8 Nm (A8.8)
Threads of mounting holes: M6x10

10 - DSE5GH - OVERALL AND MOUNTING DIMENSIONS

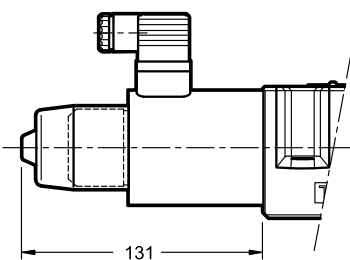
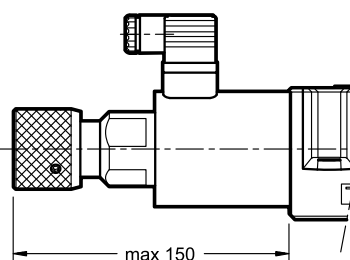
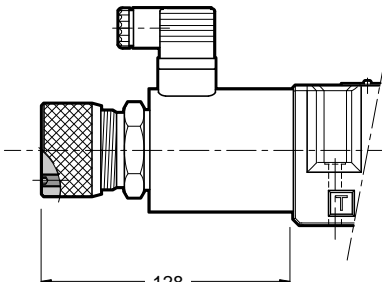


11 - MANUAL OVERRIDE

These valves have solenoids whose pin for manual operation is integrated in the tube. Actuate this override by pushing it with a suitable tool, minding not to damage the sliding surface.

Three other types of manual overrides can fit the DSE5 and DSE5GL valve:

- **CM**: manual override boot protected.
- **CK**: turning knob override.
- **CK2**: push and twist

<p style="text-align: center;">CM version - Code: 3803260004</p> 	<p style="text-align: center;">CK2 version - Code: 3401310004</p> 
<p style="text-align: center;">CK version - Code: 3803260003</p>  <p>When the set screw is screwed and its point is aligned with the edge of the knob, tighten the knob till it touches the spool: in this position the override is not engaged and the valve is de-energized.</p> <p>After adjusting the override, tighten the set screw in order to avoid the knob loosing</p> <p>Spanner for set screw: 3 mm</p>	

12 - HYDRAULIC FLUIDS

Use mineral oil-based hydraulic fluids HL or HM type, according to ISO 6743-4. For these fluids, use NBR seals. For fluids HFDR type (phosphate esters) use FPM seals (code V). For the use of other kinds of fluid such as HFA, HFB, HFC, please consult our technical department.

Using fluids at temperatures higher than 80 °C causes a faster degradation of the fluid and of the seals characteristics.

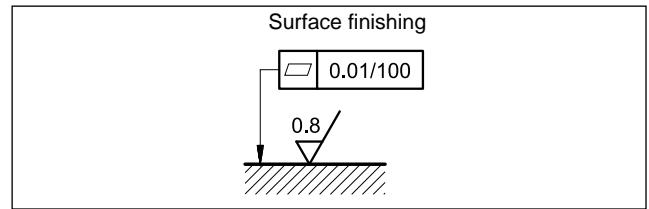
The fluid must be preserved in its physical and chemical characteristics.

13 - INSTALLATION

These valves can be installed in any position without impairing correct operation.

Ensure that there is no air in the hydraulic circuit.

Valves are fixed by means of screws or tie rods on a flat surface with planarity and roughness equal to or better than those indicated in the relative symbols. If minimum values are not observed, fluid can easily leak between the valve and support surface.



14 - ACCESSORIES

(to be ordered separately)

14.1 - Mating connectors

Mating connectors must be ordered separately. See catalogue 89 000.



For K11 and K16 versions we recommend the choice of a metal connector to avoid electromagnetic disturbances and to comply with EMC regulations on electromagnetic compatibility. If you opt for a plastic connector, make sure that it guarantees and maintains the IP and EMC protection characteristics of the valve.

14.2 - Mating connectors and caps for fieldbus communication and for sensors.

Duplomatic offers spare parts to be wired and also ready-to-use cord sets. Please refer to cat. 89 000.

14.3 - Connection cable

The optimal wiring provides for 7 isolated conductors, with separate screen for the signal wires (command, monitor) and an overall screen.

Cross section for power supply:

- up to 20 m cable length : 1,0 mm²
- up to 40 m cable length : 1,5 mm² (IO-Link excluded)

Cross section for signals (command, monitor):

- 0,50 mm²

14.4 - Kit for start-up LINPC-USB

Device for service start-up and diagnostic. See catalogue 89 850.

15 - SUBPLATES

(see catalogue 51 000)

PMD4-AI4G rear ports 3/4" BSP
PMD4-AL4G side ports 1/2" BSP



DSE5G*

DUPLOMATIC
MOTION SOLUTIONS
*a member of **DAIKIN** group*

DUPLOMATIC MS Spa

via Mario Re Depaolini, 24 | 20015 Parabiago (MI) | Italy

T +39 0331 895111 | E vendite.ita@duplomatic.com | sales.exp@duplomatic.com
duplomaticmotionsolutions.com