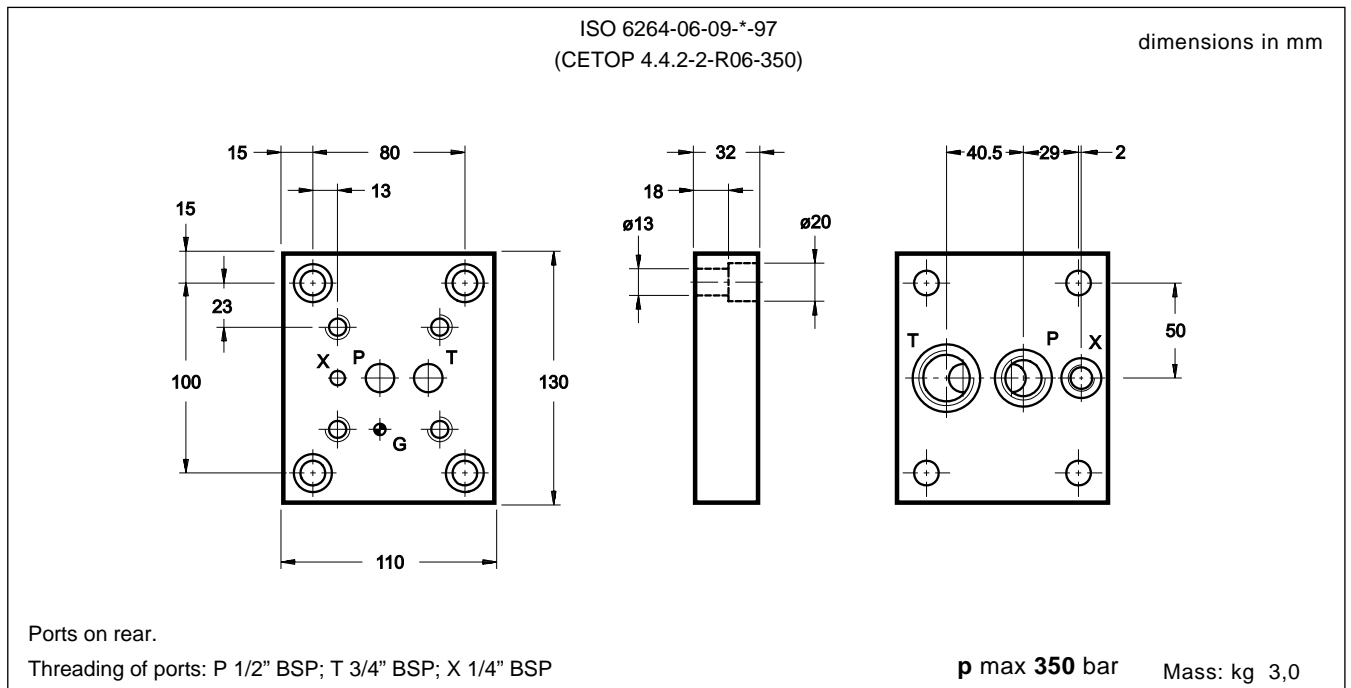


SUBPLATES

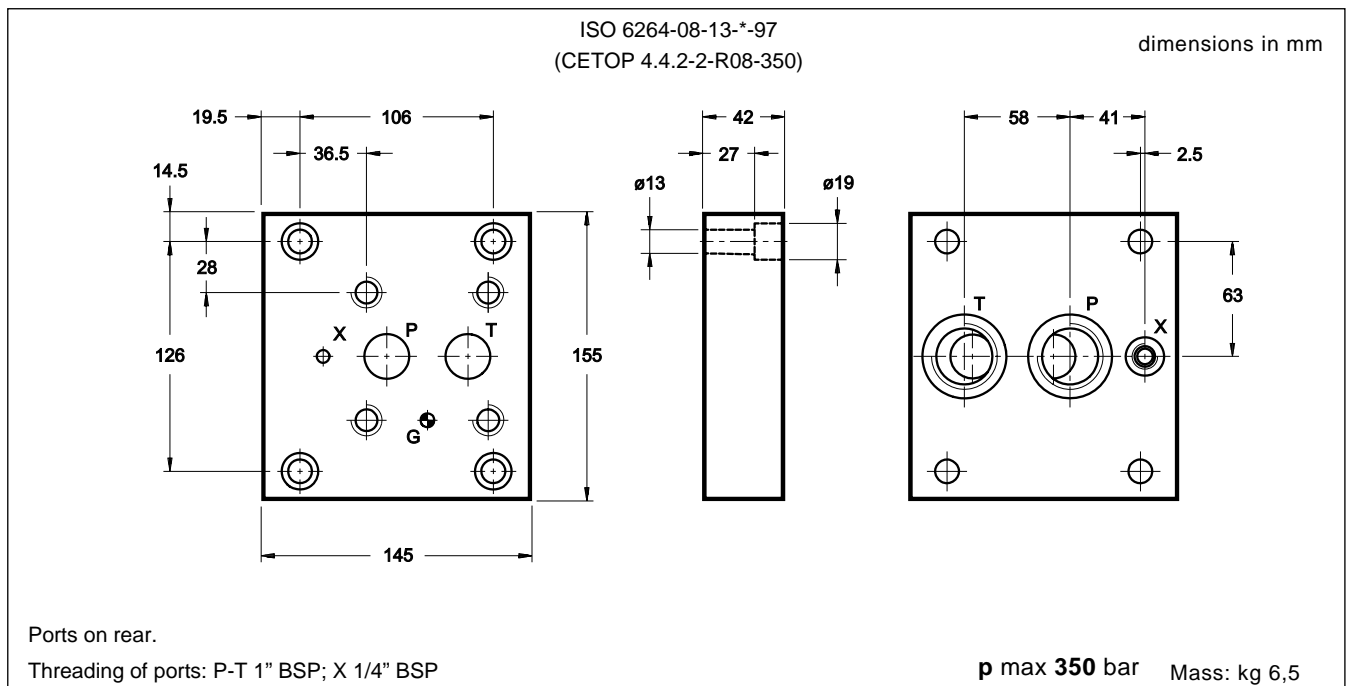
PMRQ*

SUBPLATES FOR PRESSURE CONTROL VALVES

1 - OVERALL AND MOUNTING DIMENSIONS PMRQ3-AI4G/20 (cod. 1961211)



2 - OVERALL AND MOUNTING DIMENSIONS PMRQ5-AI5G/20 (cod. 1961221)

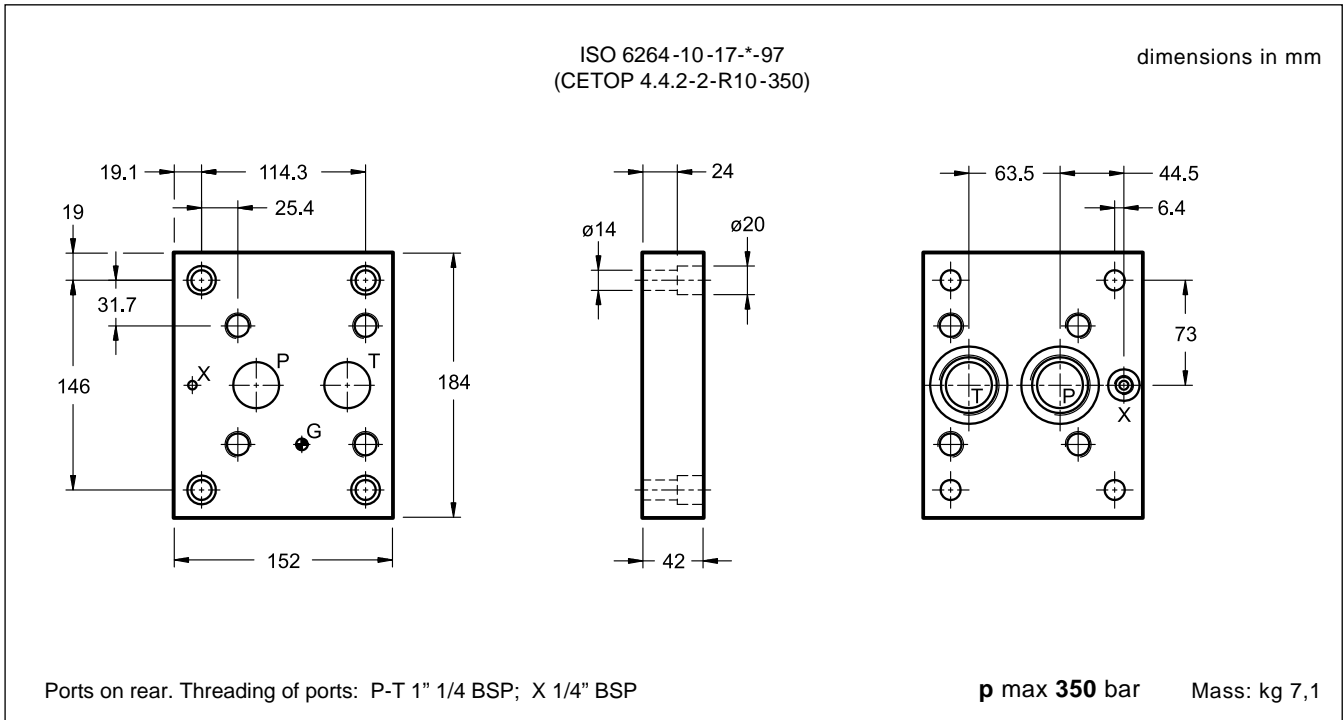




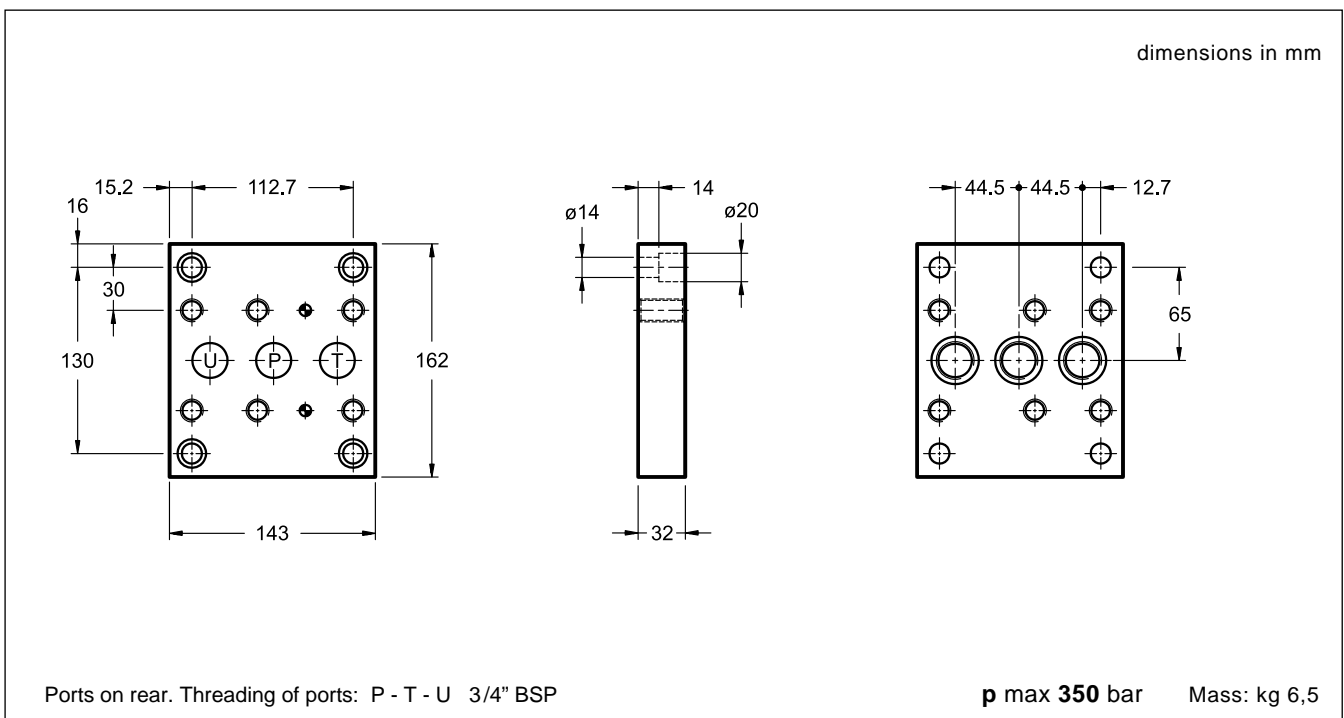
PMRQ*

SUBPLATES FOR PRESSURE CONTROL VALVES

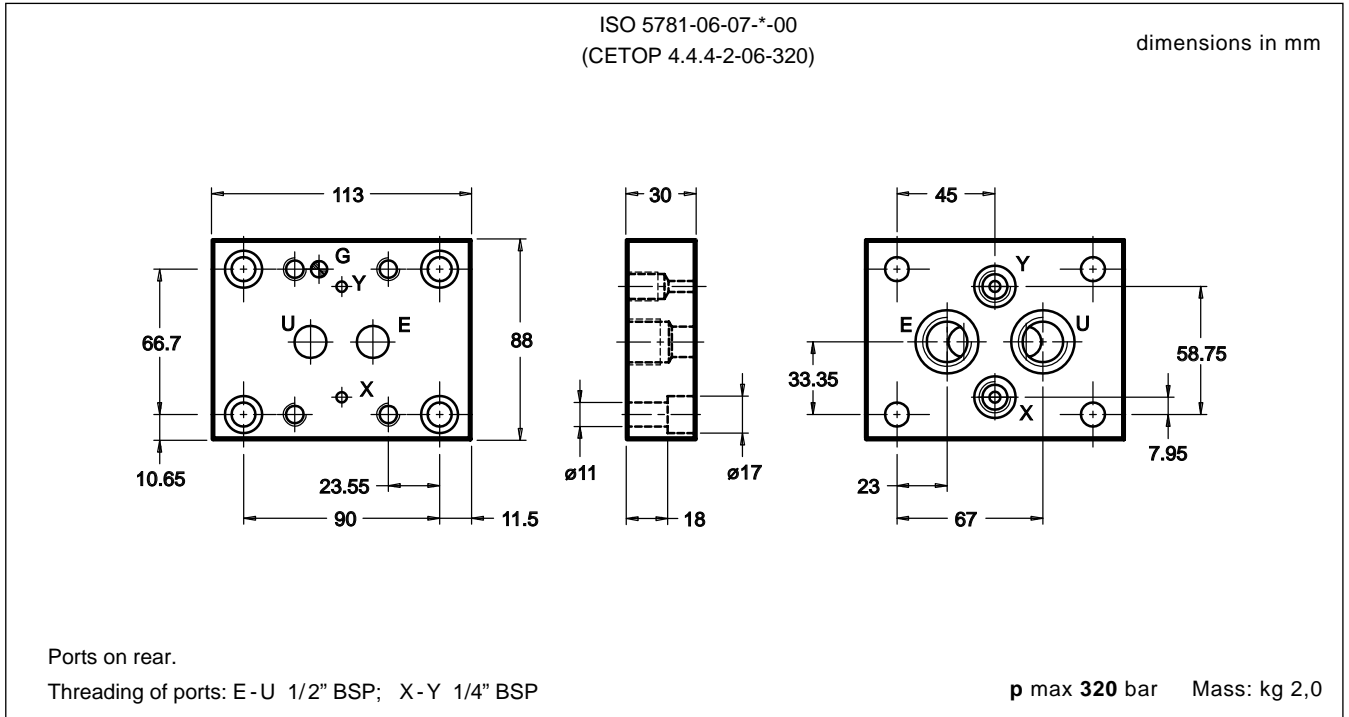
3 - OVERALL AND MOUNTING DIMENSIONS PMRQ7-AI7G/10 (cod. 1960051)



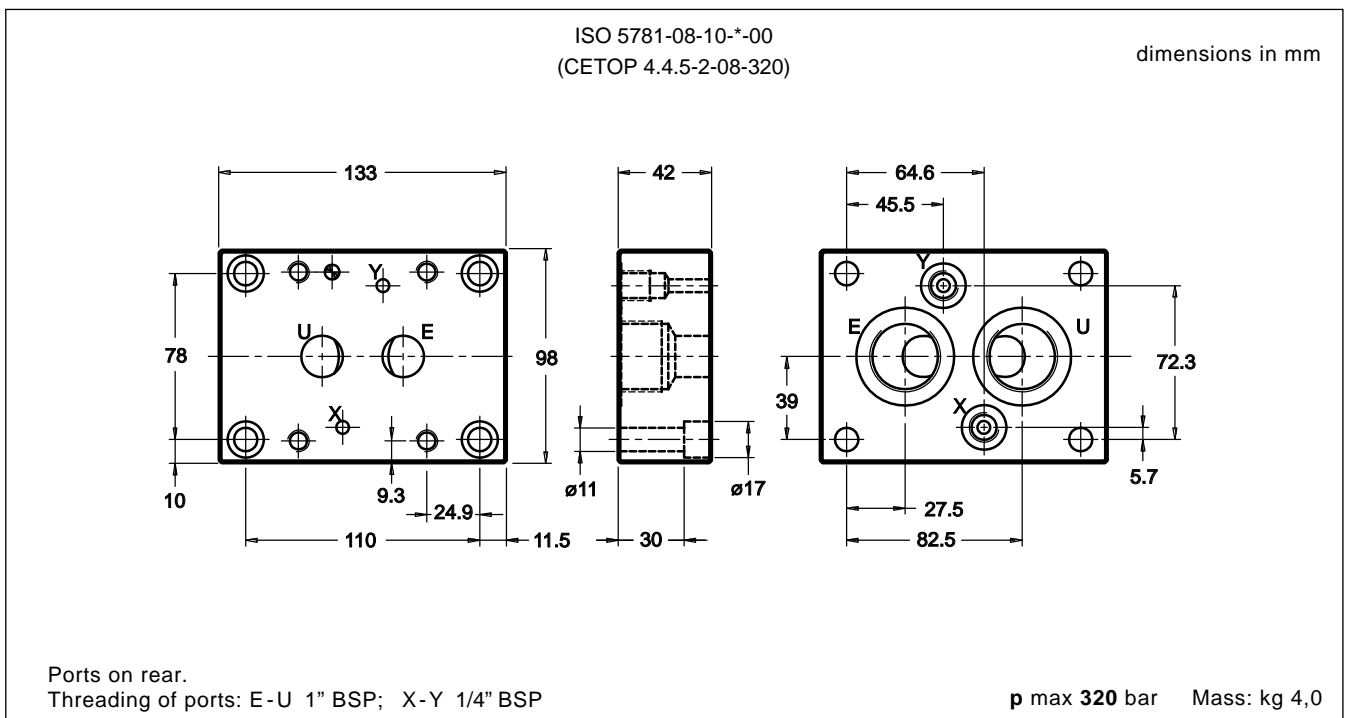
4 - OVERALL AND MOUNTING DIMENSIONS PMRQA5-AI5G/10 (cod. 1960070)



5 - OVERALL AND MOUNTING DIMENSIONS PMSZ3-AI4G/20 (cod. 1961231)



6 - OVERALL AND MOUNTING DIMENSIONS PMSZ5-AI6G/20 (cod. 1961241)



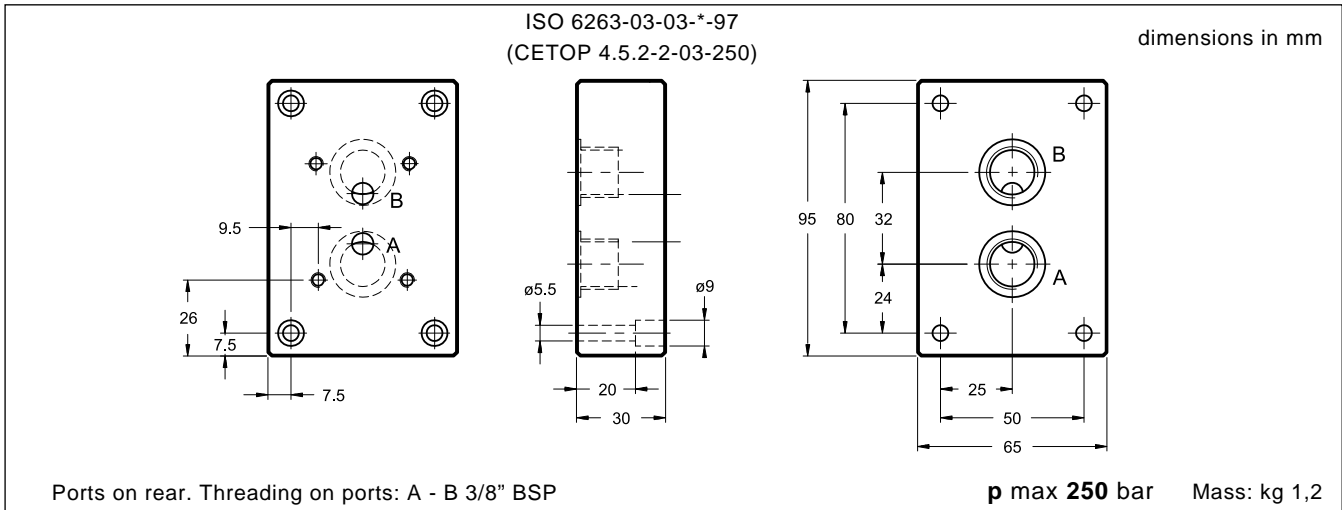


PMRPC*

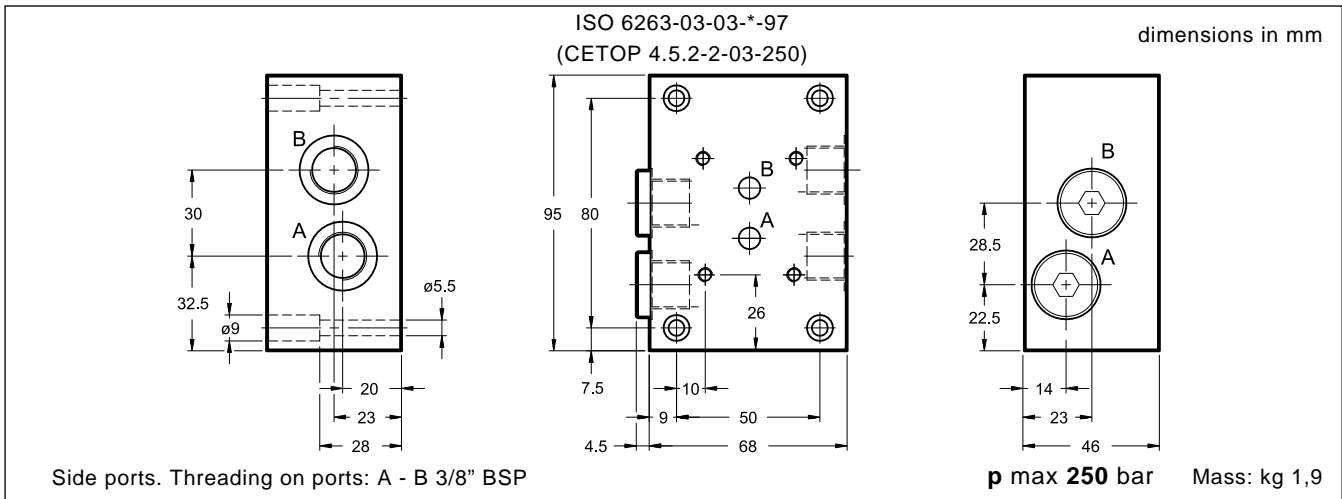
SUBPLATES

FOR FLOW CONTROL VALVES

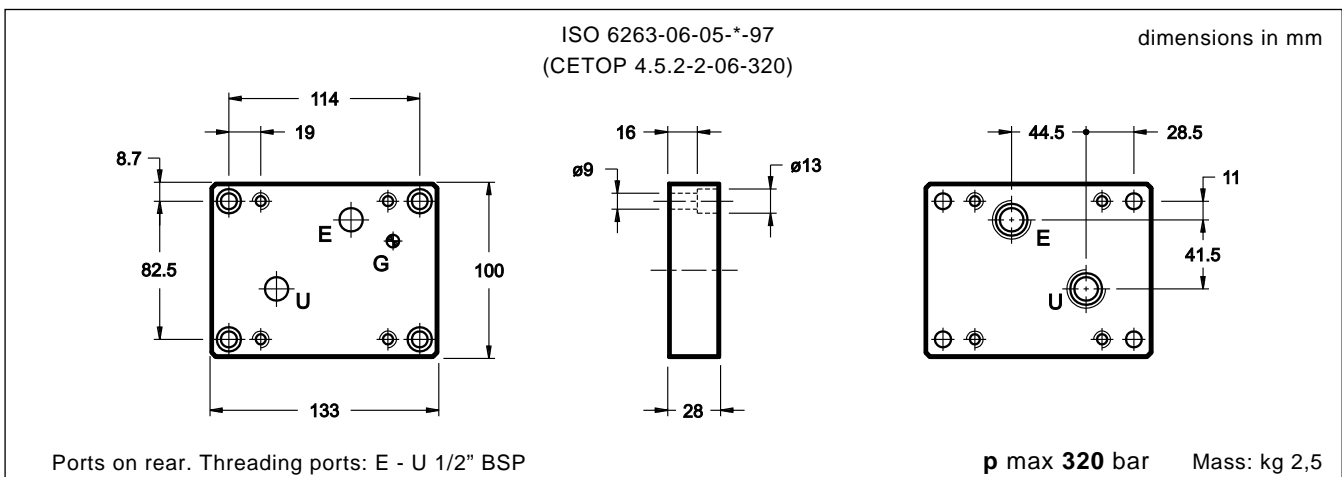
7 - OVERALL AND MOUNTING DIMENSIONS PMRPC1-AI3G/10 (cod. 1961045)



8 - OVERALL AND MOUNTING DIMENSIONS PMRPC1-AL3G/10 (cod. 1961051)



9 - OVERALL AND MOUNTING DIMENSIONS PMRPC2-AI4G/10 (cod. 1960330)

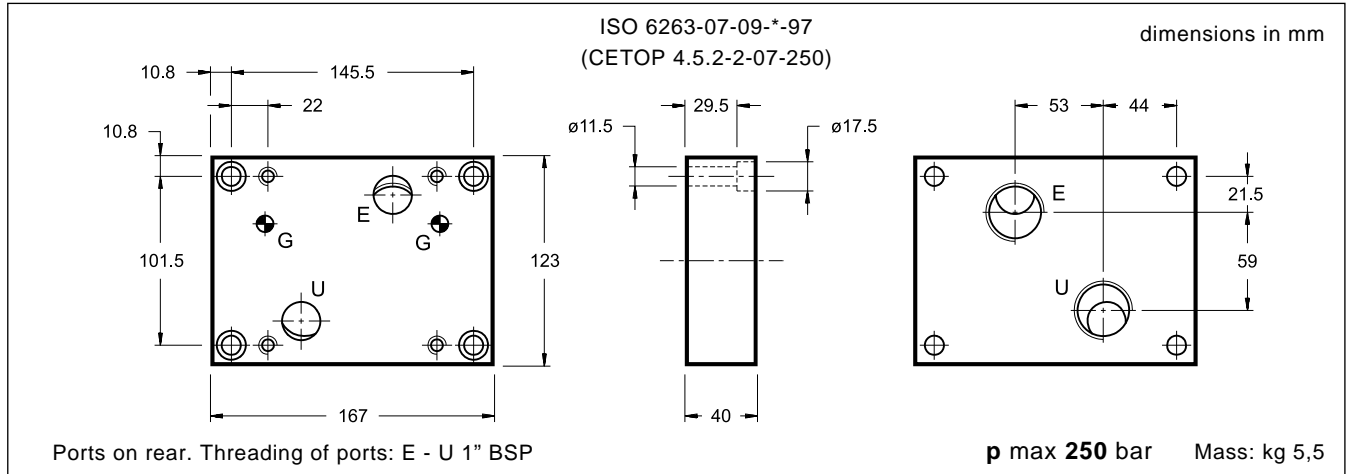




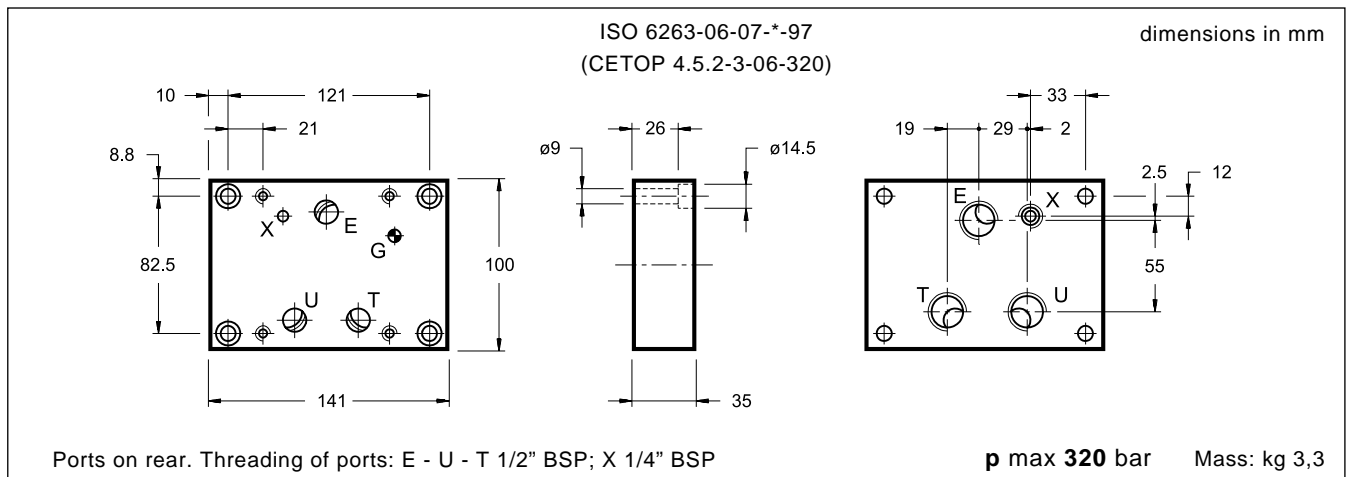
PMRPC*

SUBPLATES FOR FLOW CONTROL VALVES

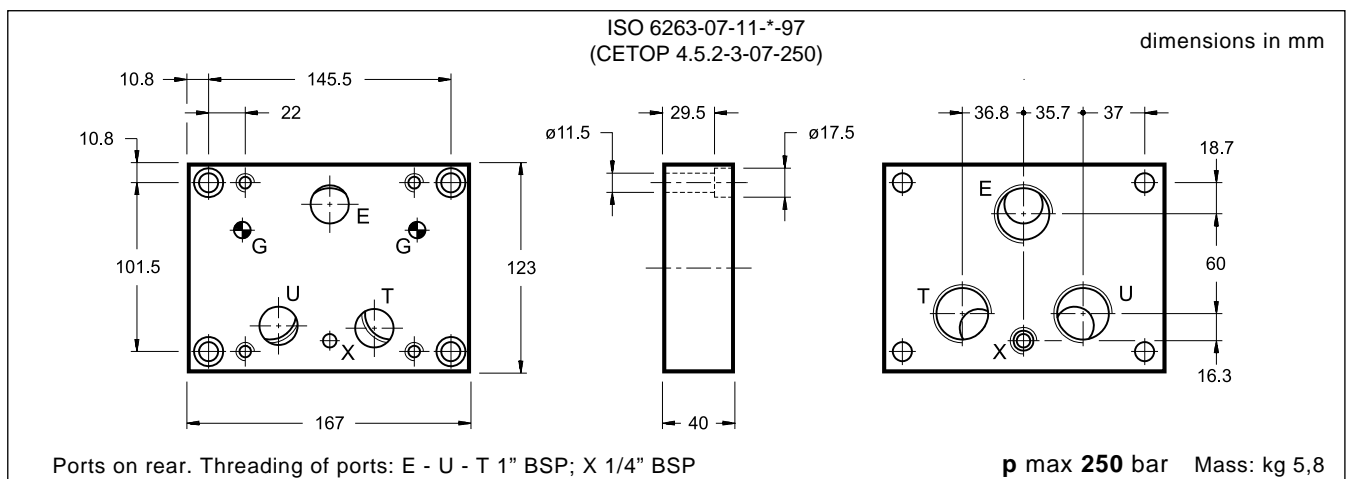
10 - OVERALL AND MOUNTING DIMENSIONS PMRPC3-AI6G/10 (cod. 1960511)



11 - OVERALL AND MOUNTING DIMENSIONS PMRPCQ2-AI4G/10 (cod. 1960526)



12 - OVERALL AND MOUNTING DIMENSIONS PMRPCQ3-AI6G/10 (cod. 1960423)

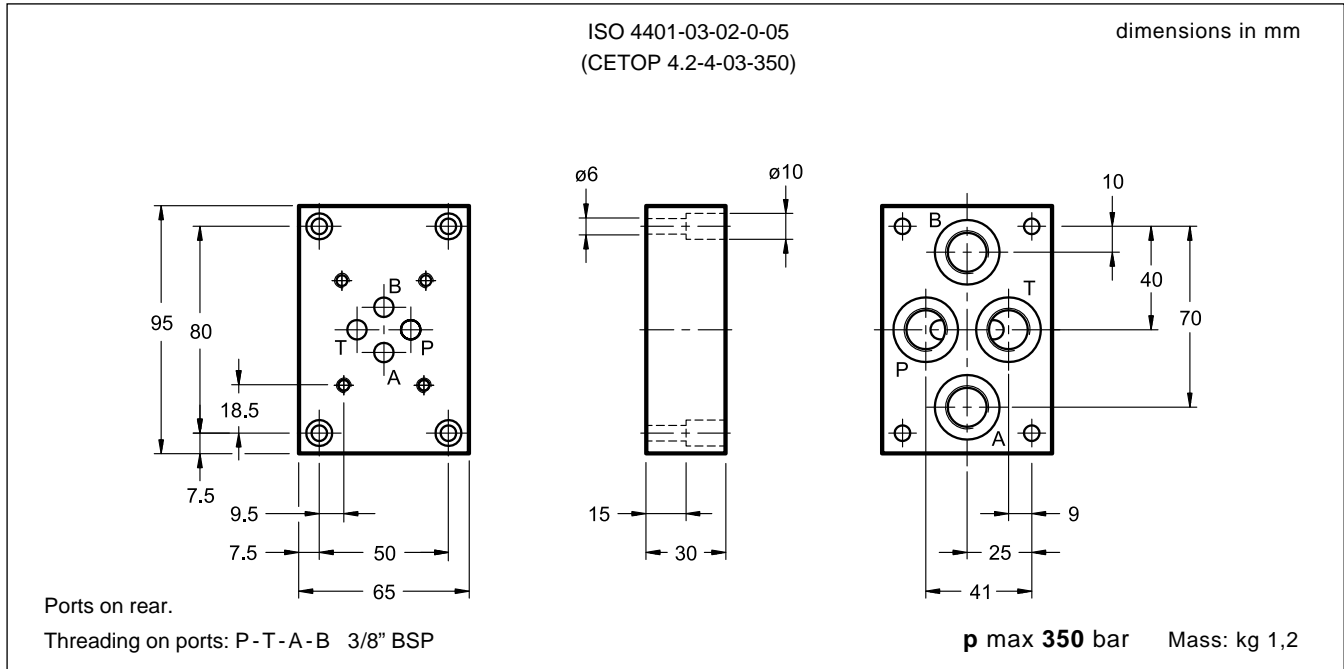




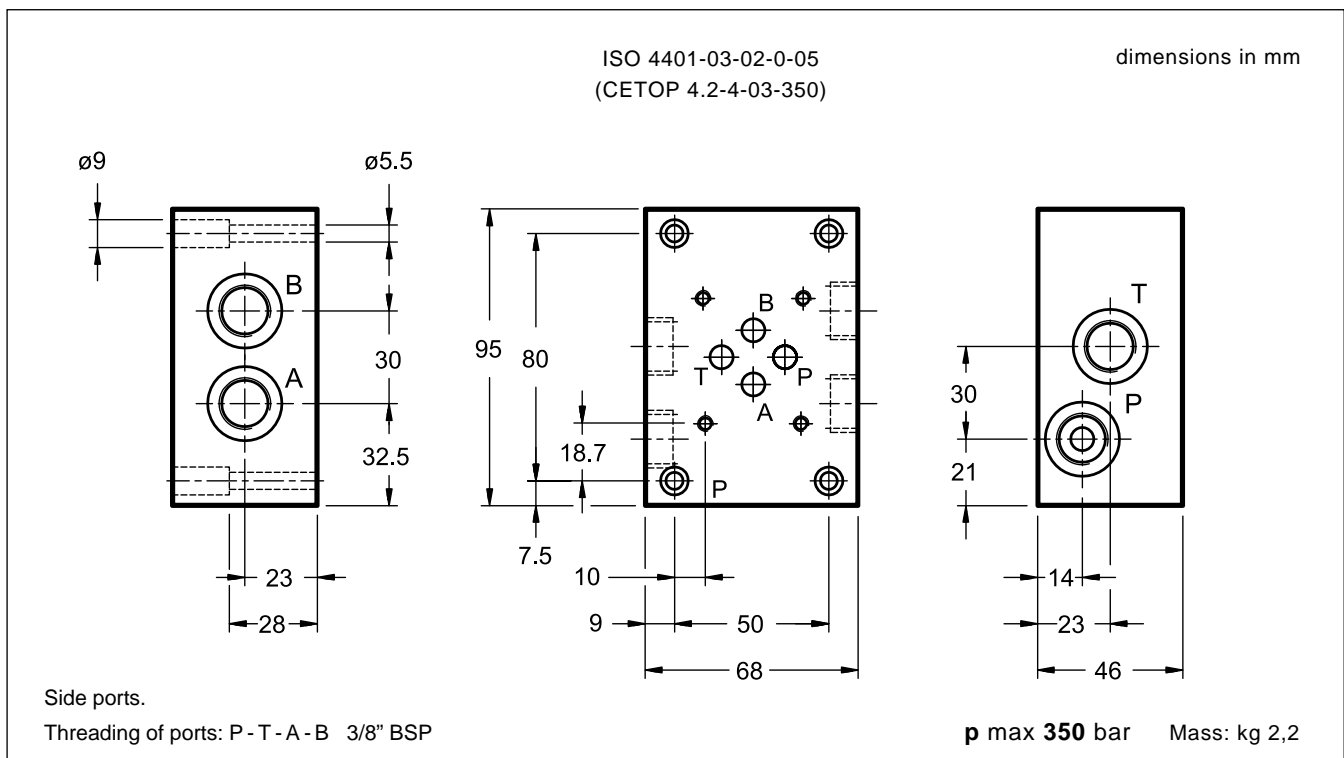
PMMD

SUBPLATES FOR ISO 4401-03 (CETOP 03) VALVES

13 - OVERALL AND MOUNTING DIMENSIONS PMMD-AI3G/20 (cod. 1961261)



14 - OVERALL AND MOUNTING DIMENSIONS PMMD-AL3G/11 (cod. 1961251)

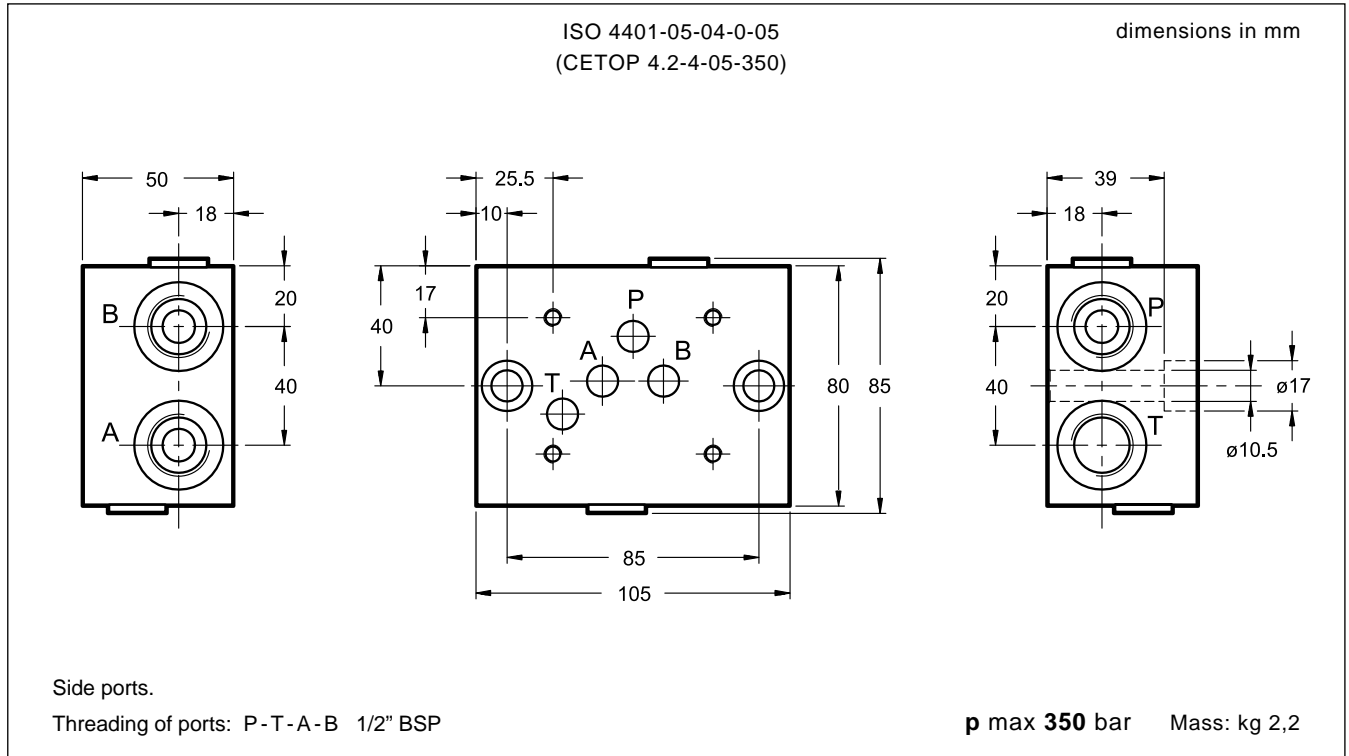




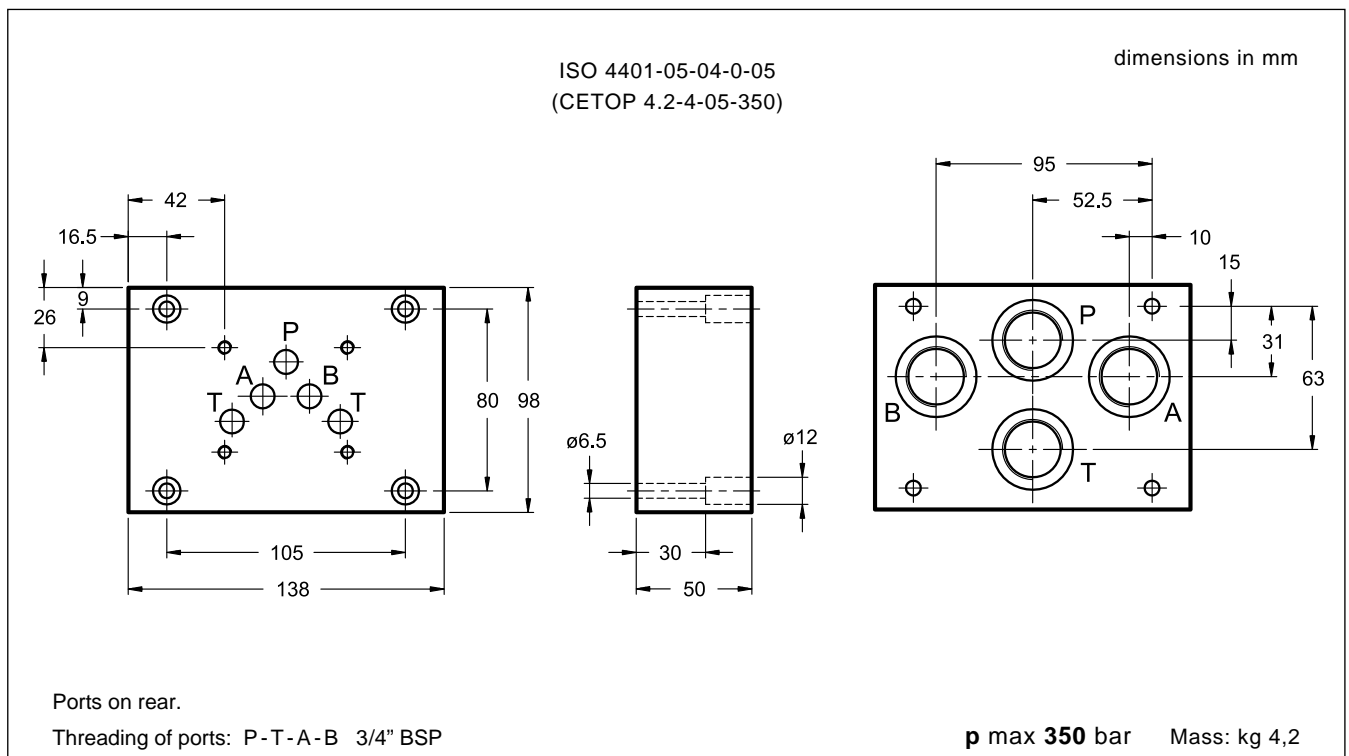
PMD4

SUBPLATES FOR ISO 4401-05 (CETOP 05) VALVES

15 - OVERALL AND MOUNTING DIMENSIONS PMD4-AL4G/10 (cod. 1960981)



16 - OVERALL AND MOUNTING DIMENSIONS PMD4-AI4G/20 (cod. 1961271)

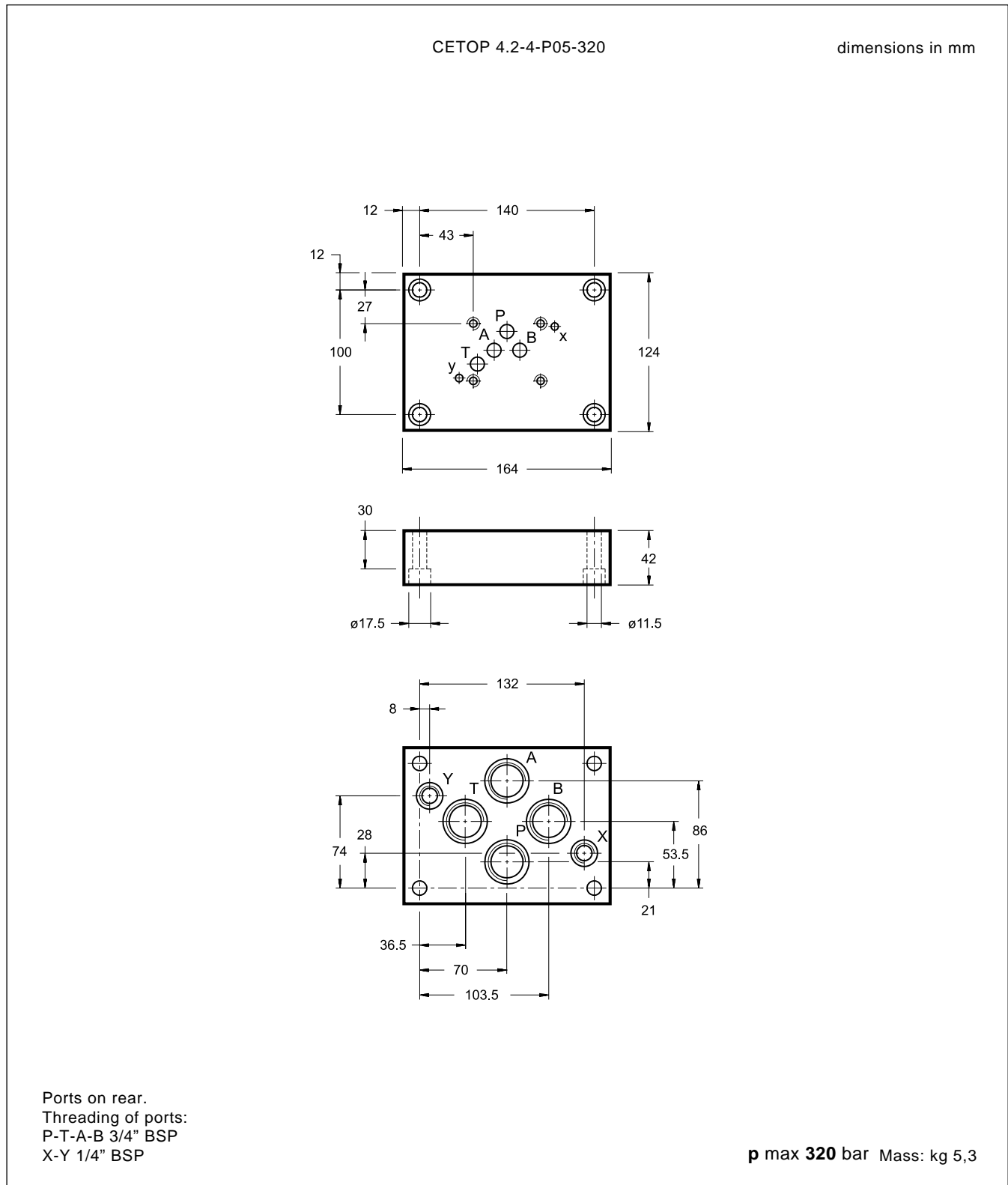




PME4

SUBPLATES FOR CETOP P05 VALVES

17 - OVERALL AND MOUNTING DIMENSIONS PME4-AI5G/10 (cod. 1961181)



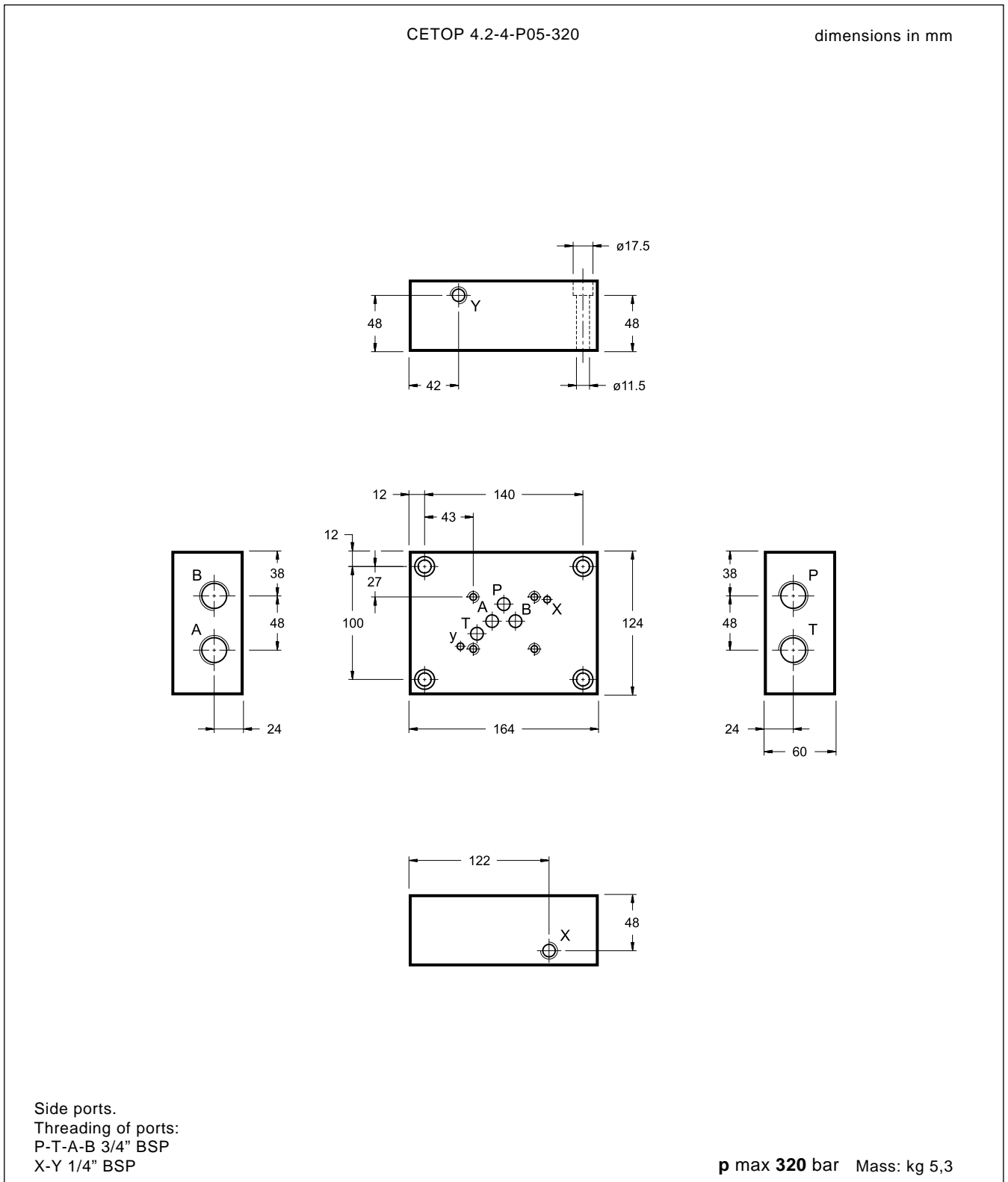


PME4

SUBPLATES

FOR CETOP P05 VALVES

18 - OVERALL AND MOUNTING DIMENSIONS PME4-AL5G/10 (cod. 1961201)





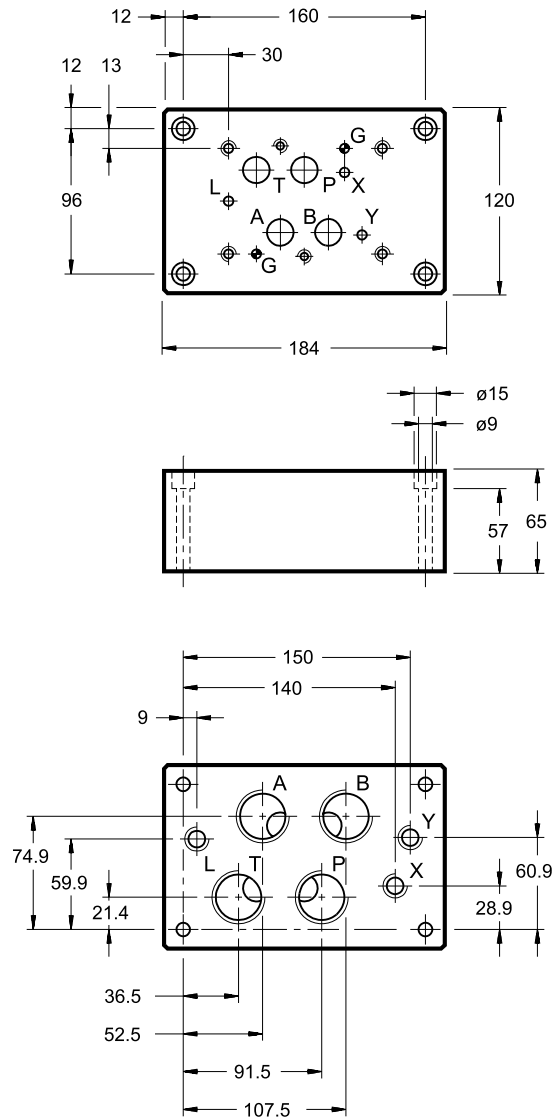
PME07

SUBPLATES FOR ISO 4401-07 (CETOP 07) VALVES

19 - OVERALL AND MOUNTING DIMENSIONS PME07-AI6G/10 (cod. 1961071)

dimensions in mm

ISO 4401-07-07-0-05
(CETOP 4.2-4-07-350)



Ports on rear.
Threading of ports:
P-T-A-B 1" BSP
X-Y-L 1/4" BSP

p max 350 bar

Mass: kg 9



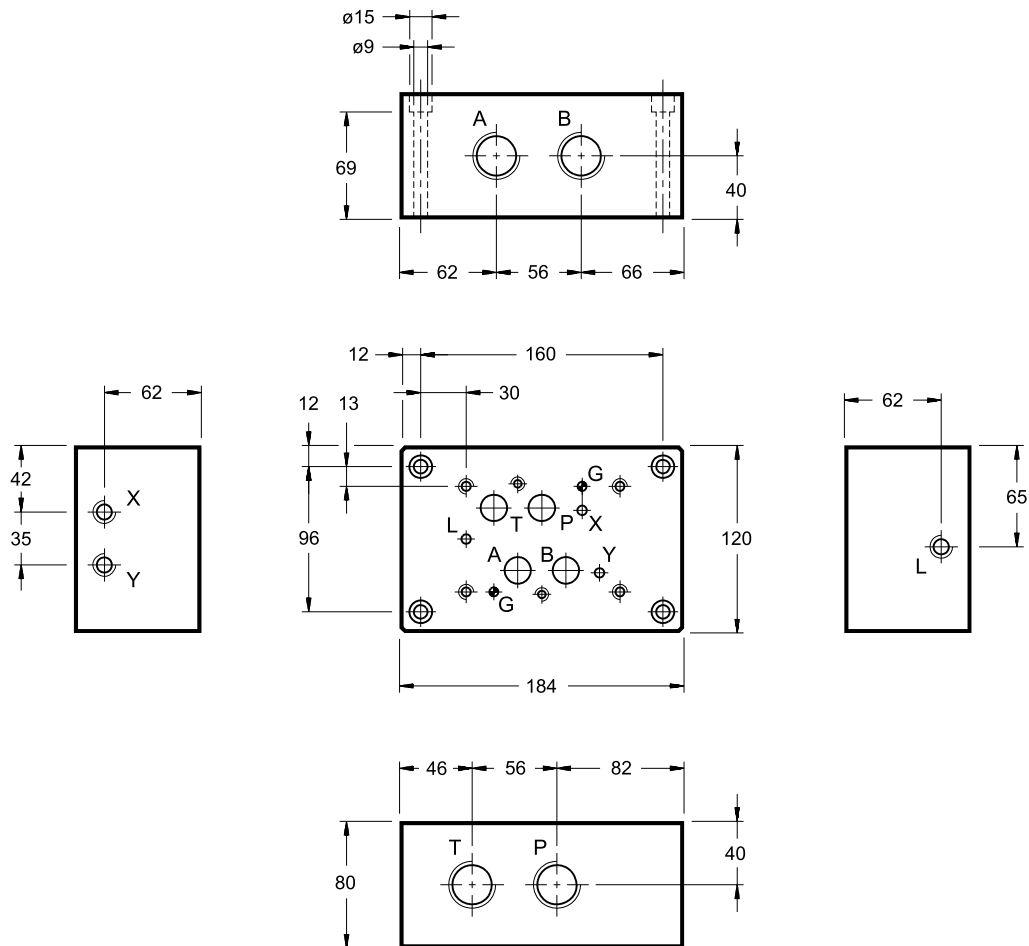
PME07

SUBPLATES FOR ISO 4401-07 (CETOP 07) VALVES

20 - OVERALL AND MOUNTING DIMENSIONS PME07-AL6G/10 (cod. 1961111)

dimensions in mm

ISO 4401-07-07-0-05
(CETOP 4.2-4-07-350)



Side ports.
Threading of ports:
P-T-A-B 1" BSP
X-Y-L 1/4" BSP

p max 350 bar

Mass: kg 11,5



PME5

SUBPLATES FOR ISO 4401-08 (CETOP 08) VALVES

21 - OVERALL AND MOUNTING DIMENSIONS PME5-AL8G/10 (cod. 1961141)

