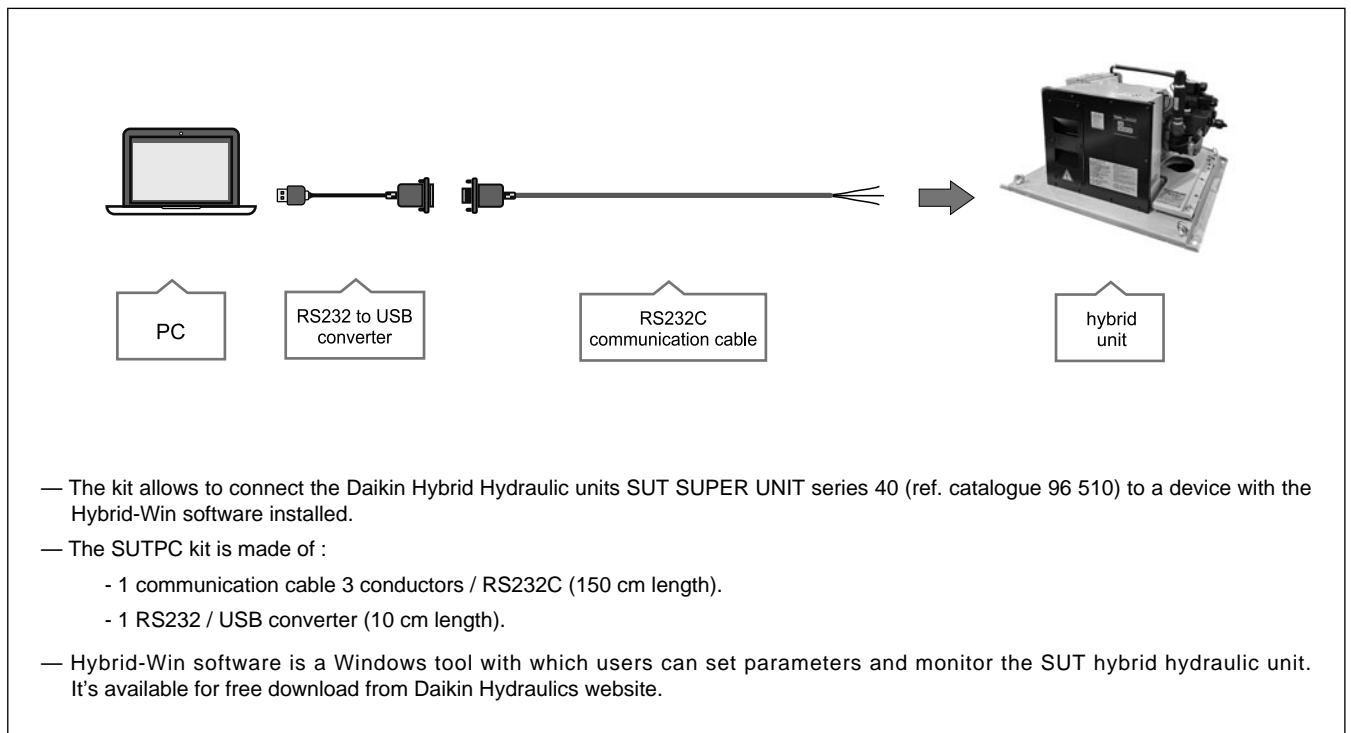


SUTPC

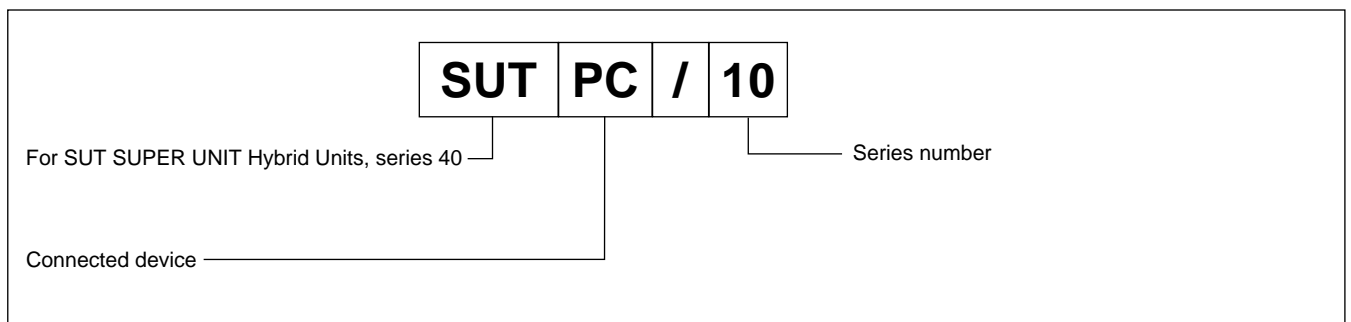
CABLE KIT for HYBRID-WIN SOFTWARE CONNECTION

SERIES 10

OPERATING PRINCIPLE



1 - IDENTIFICATION CODE





2 - HYBRID-WIN SOFTWARE

Hybrid-Win software main features include:

Creating graphs

Pressure, flow rate and other internal data can be monitored and displayed in graphs.

These key visuals facilitate operation checks during test runs, parameter adjustments and troubleshooting.

Editing parameter settings

End users can read and write parameters and easily set them to save time.

Remote setting is also possible.

Managing alarm history

This function quickly identifies parts that require maintenance to reduce downtime. The operating time display shows when consumable parts need replacing or a maintenance check.

Troubleshooting information includes a diagnosis of what caused an alarm and actions to resolve the issue.

The software is compliant with Microsoft OS Windows for Windows 7, 8 and 10.

NOTE: The Hybrid-Win tool may not run on some specific PCs. We recommend to install the software and check that it runs properly before buying the SUTPC kit.

To enable Hybrid-Win to communicate with a SUT Super Unit, it is necessary to match the settings of the Super Unit to that of Hybrid-Win software. Please refer to the 'Hybrid System Maintenance Tool' document for details.

The Hybrid-win software can be downloaded at www.hyd.daikin.com by entering in the Daikin Oil Hydraulics CUSTOMER'S PAGE via the 'Products > Hybrid Hydraulic Unit > ECORICH (Design No. 40)' section.

- > Click on 'Members only'. A free on-line registration is required at first access.
- > Log into the 'Customer's page' with your credentials
- > Enter in the 'software' page
- > Search for 'SUT'.
- > Download the 'HybridWin_V271_EN' software pack

Useful information is also in the 'Hybrid System Maintenance Tool'.

3 - RS232 SPECIFICATIONS

Transmission speed	19200 bps
Start bit	1 bit
Data bit length	8 bits
Parity bit	none
Stop bit	1 bit
Parity check	none
Transmission max distance	15 metres



DIPLOMATIC MS Spa

via Mario Re Depaolini, 24 | 20015 Parabiago (MI) | Italy

T +39 0331 895111 | E vendite.ita@duplomatic.com | sales.exp@duplomatic.com

duplomaticmotionsolutions.com