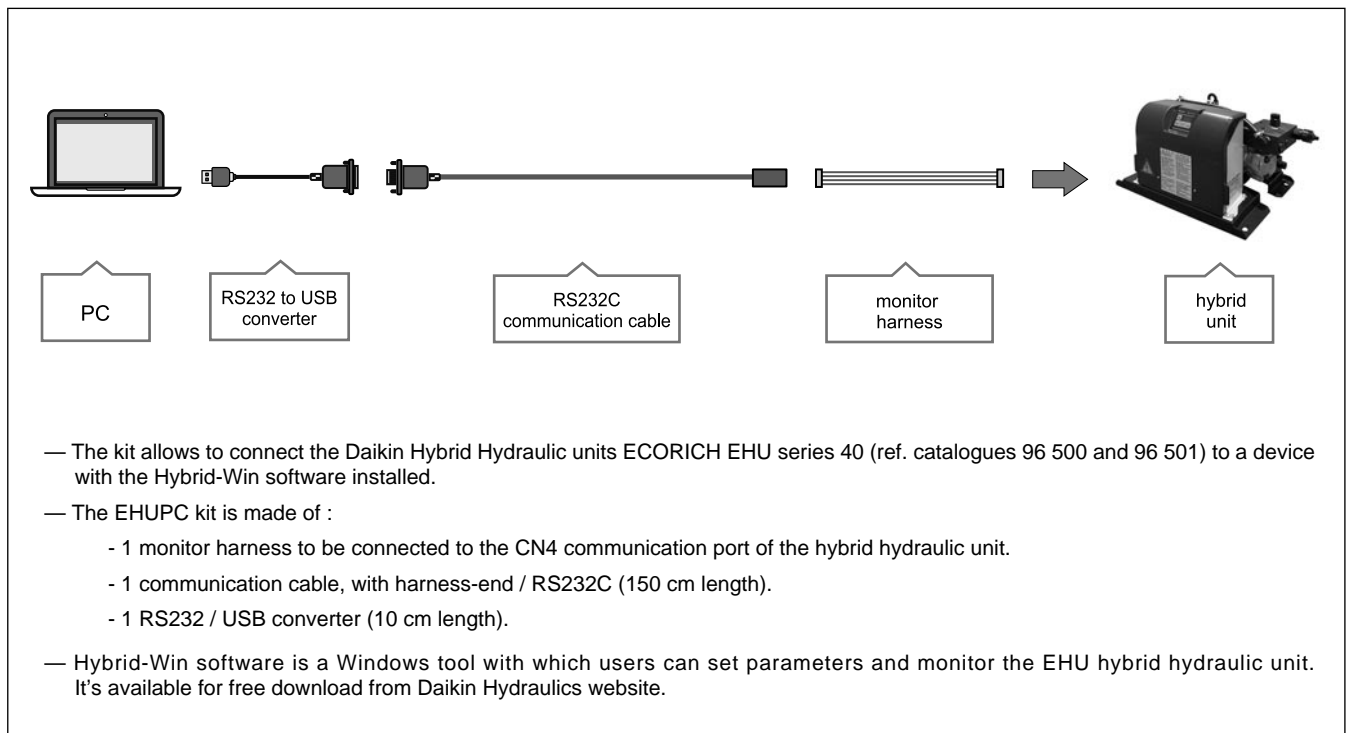


# EHUPC

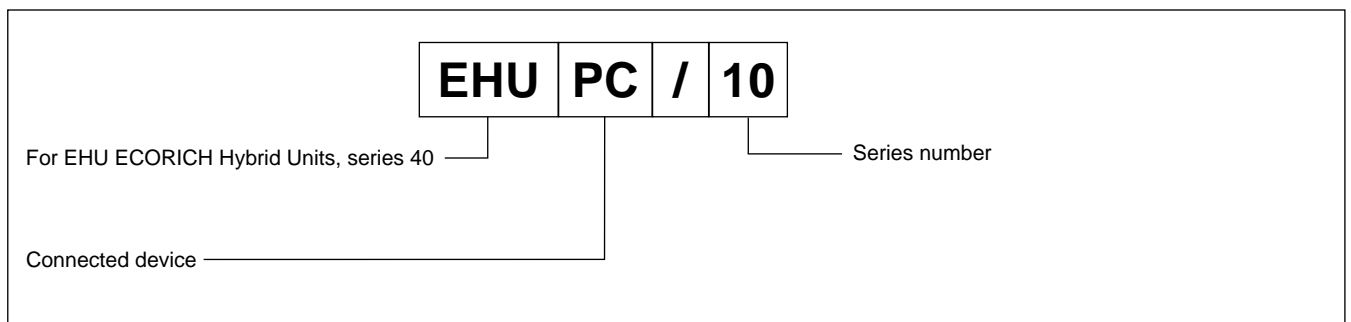
## CABLE KIT for HYBRID-WIN SOFTWARE CONNECTION

SERIES 10

### OPERATING PRINCIPLE



### 1 - IDENTIFICATION CODE





## 2 - HYBRID-WIN SOFTWARE

Hybrid-Win software main features include:

### Creating graphs

Pressure, flow rate and other internal data can be monitored and displayed in graphs.

These key visuals facilitate operation checks during test runs, parameter adjustments and troubleshooting.

### Editing parameter settings

End users can read and write parameters and easily set them to save time.

Remote setting is also possible.

### Managing alarm history

This function quickly identifies parts that require maintenance to reduce downtime. The operating time display shows when consumable parts need replacing or a maintenance check.

Troubleshooting information includes a diagnosis of what caused an alarm and actions to resolve the issue.

The software is compliant with Microsoft OS Windows for Windows 7, 8 and 10.

**NOTE: The Hybrid-Win tool may not run on some specific PCs. We recommend to install the software and check that it runs properly before buying the EHUPC kit.**

The Hybrid-win software can be downloaded at [www.hyd.daikin.com](http://www.hyd.daikin.com) by entering in the Daikin Oil Hydraulics CUSTOMER'S PAGE via the 'Products > Hybrid Hydraulic Unit > ECORICH (Design No. 40)' section.

- > Click on 'Members only'. A free on-line registration is required at first access.
- > Log into the 'Customer's page' with your credentials
- > Enter in the 'software' page
- > Search for 'EHU'.
- > Download the 'HybridWin\_V271\_EN' software pack

Useful information is also in the 'Hybrid System Maintenance Tool' and in the literature of your Hybrid Unit, also available at the Daikin Oil Hydraulics CUSTOMER'S PAGE.

## 3 - RS232 SPECIFICATIONS

Transmission speed	19200 bps
Start bit	1 bit
Data bit length	8 bits
Parity bit	none
Stop bit	1 bit
Parity check	none
Transmission max distance	15 metres