



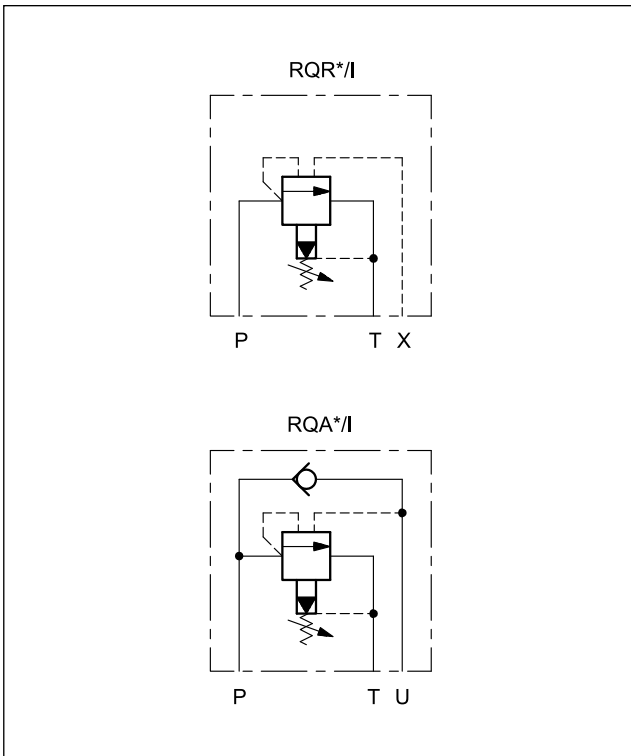
RQ-P**
UNLOADING VALVE
(FOR CIRCUITS WITH ACCUMULATOR)
SERIES 42

RQR*-P
FOR REMOTE PILOTING

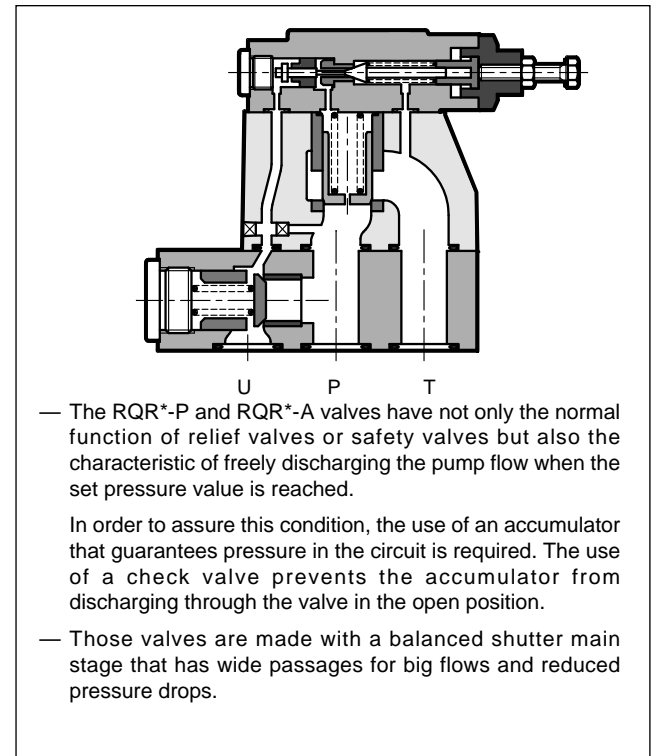
RQA*-P
WITH INCORPORATED CHECK VALVE

SUBPLATE MOUNTING

HYDRAULIC SYMBOLS



OPERATING PRINCIPLE

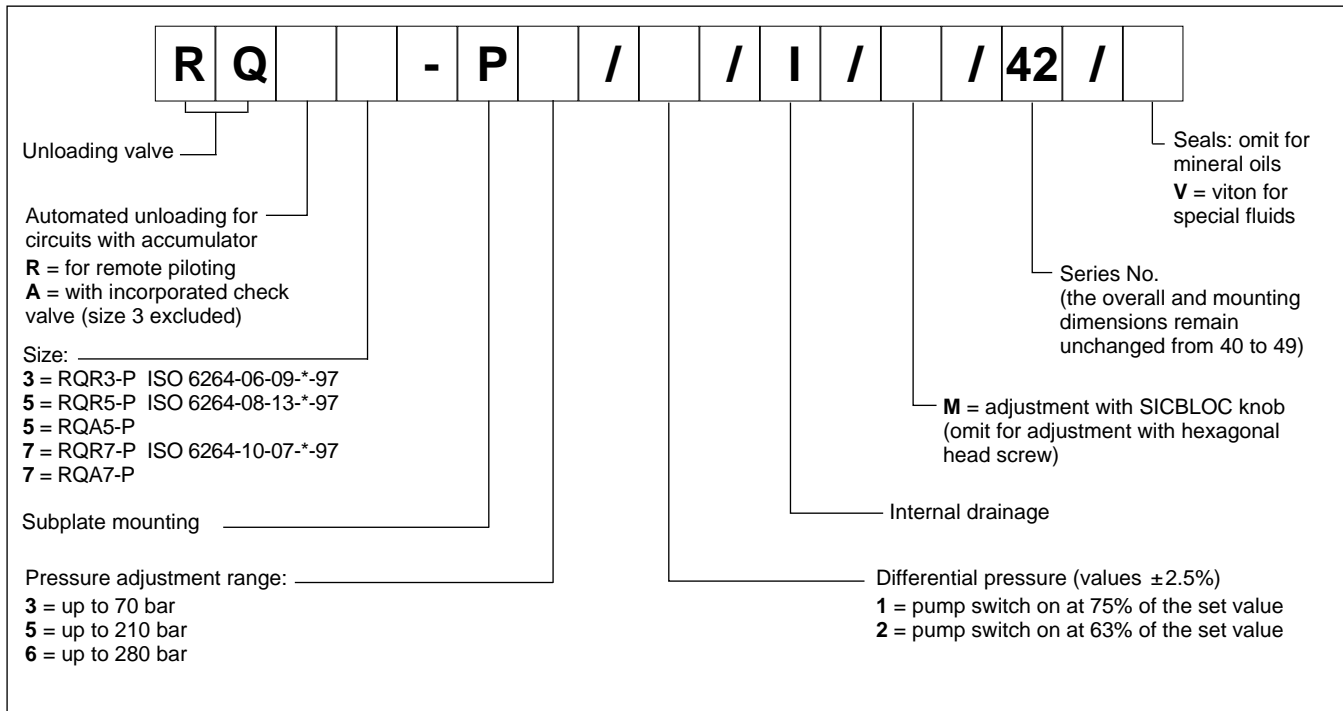


PERFORMANCES

(measured with mineral oil of viscosity 36 cSt at 50°C)

		RQR3-P	RQR5-P	RQR7-P	RQA5-P	RQA7-P
Maximum operating pressure	bar	350				
Maximum flow rate	l/min	200	400	500	400	500
Ambient temperature range	°C	-20 / +60				
Fluid temperature range	°C	-20 / +80				
Fluid viscosity range	cSt	10 ÷ 400				
Fluid contamination degree		According to ISO 4406:1999 class 20/18/15				
Recommended viscosity	cSt	25				
Mass	Kg	3,5	4,3	6,5	10	17

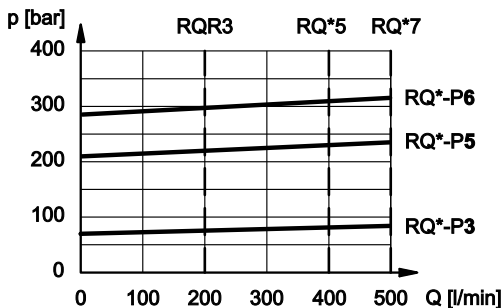
1 - IDENTIFICATION CODE



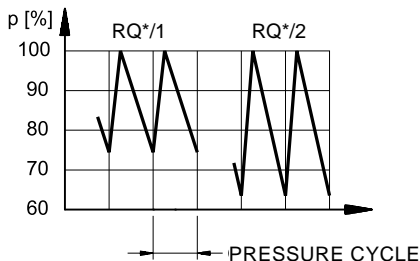
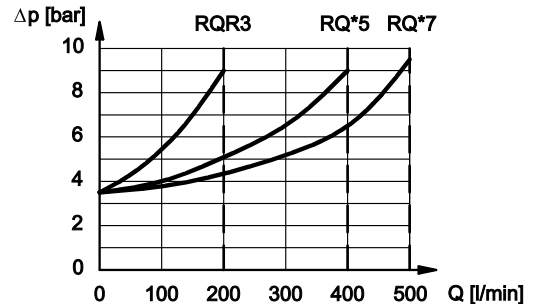
2 - CHARACTERISTIC CURVES

(values obtained with viscosity of 36 cSt at 50°C)

ADJUSTMENT



MINIMUM CONTROLLED PRESSURE

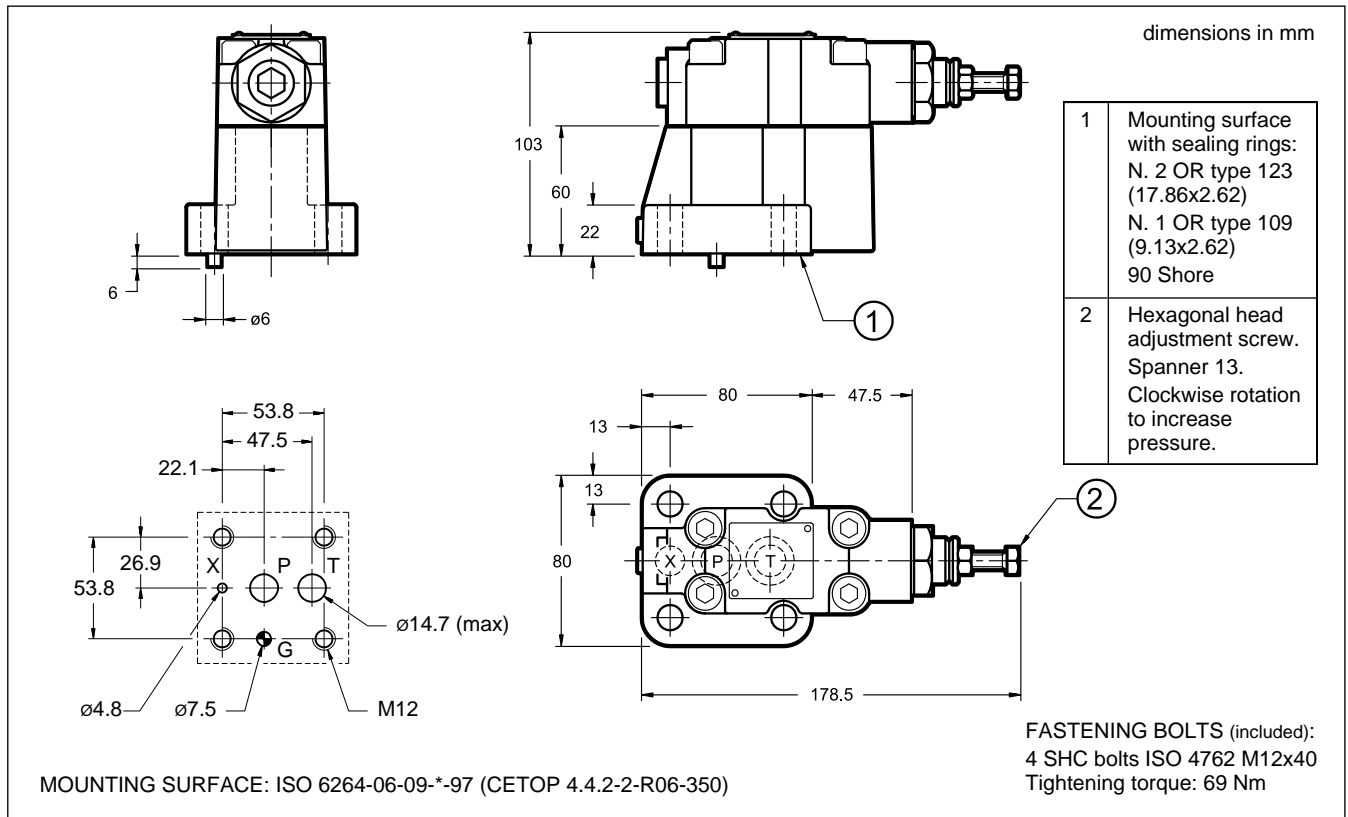


3 - HYDRAULIC FLUIDS

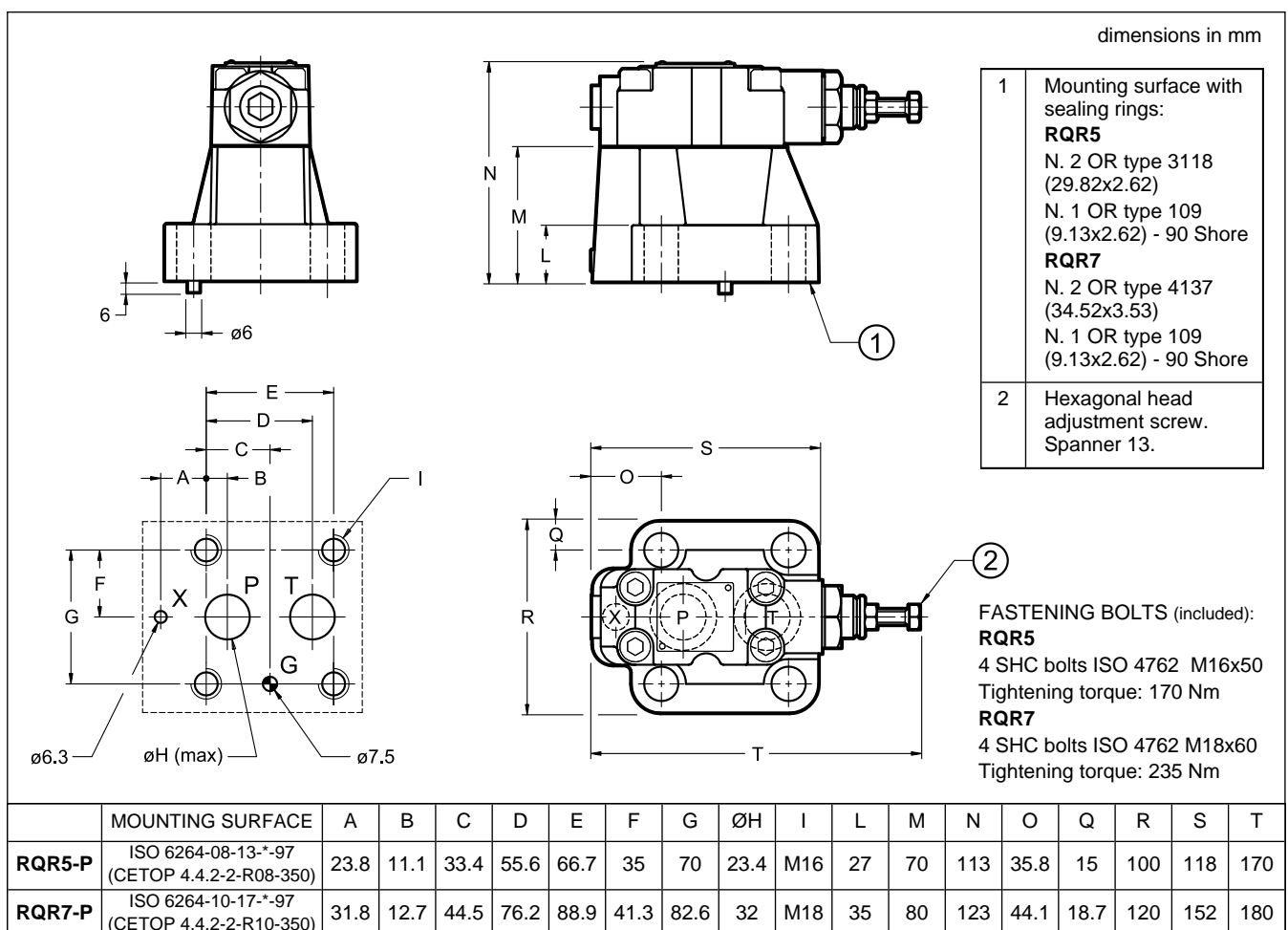
Use mineral oil-based hydraulic fluids HL or HM type, according to ISO 6743-4. For these fluids, use NBR seals. For fluids HFDR type (phosphate esters) use FPM seals (code V). For the use of other kinds of fluid such as HFA, HFB, HFC, please consult our technical department.

Using fluids at temperatures higher than 80 °C causes a faster degradation of the fluid and of the seals characteristics. The fluid must be preserved in its physical and chemical characteristics.

4 - RQR3-P OVERALL AND MOUNTING DIMENSIONS

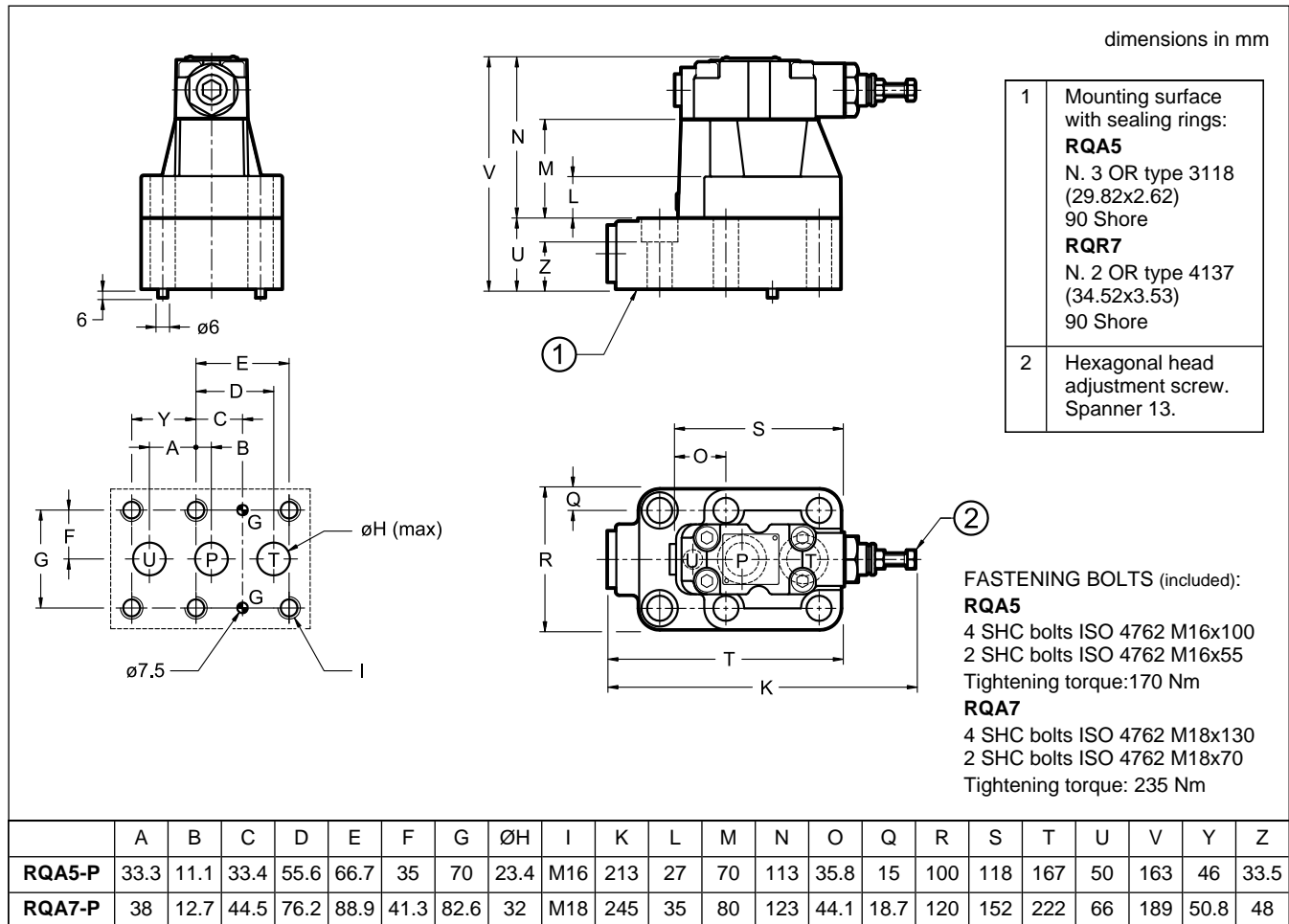


5 - RQR5-P AND RQR7-P OVERALL AND MOUNTING DIMENSIONS





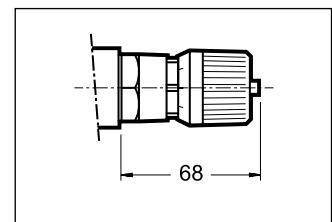
6 - RQA5-P AND RQA7P OVERALL AND MOUNTING DIMENSIONS



7 - ADJUSTMENT KNOB

The valves can be equipped with a SICBLOC adjustment knob. To operate it, push and rotate at the same time.

To request this option, add **M** (see paragraph 1) in the proper square.



8 - SUBPLATES

(see catalogue 51 000)

	RQR3-P	RQR5-P	RQR7-P	RQA5-P	RQA7-P
Type	PMRQ3-AI4G rear ports	PMRQ5-AI5G rear ports	PMRQ7-AI7G rear ports	PMRQA5-AI5G rear ports	PMRQA7-AI7G rear ports
P, T, U ports dimensions	P: 1/2" BSP T: 3/4" BSP	1" BSP	1" 1/4 BSP	3/4" BSP	1" 1/4 BSP
X port dimension	1/4" BSP	1/4" BSP	1/4" BSP	-	-