



PZM5

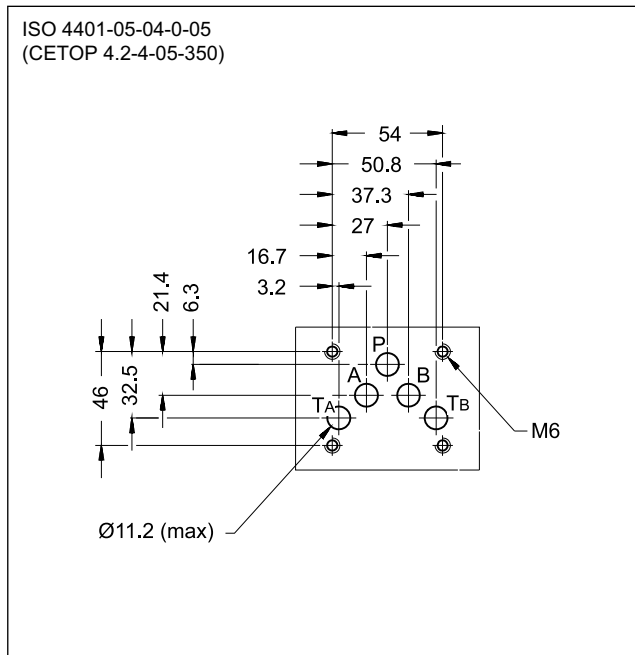
PILOT OPERATED PRESSURE REDUCING VALVE

SERIES 10

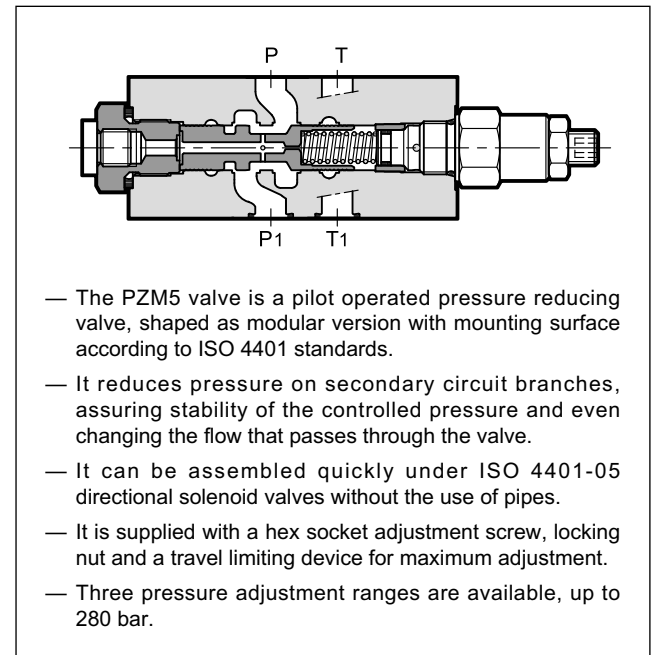
MODULAR VERSION ISO 4401-05

p max **350** bar
Q max (see table of performances)

MOUNTING INTERFACE



OPERATING PRINCIPLE

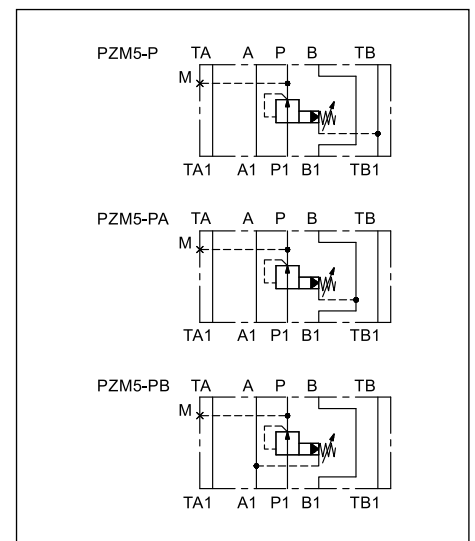


PERFORMANCES

(measured with mineral oil of viscosity 36 cSt at 50 °C)

Maximum operating pressure	bar	350
Maximum flow rate in the controlled line P	l/min	80
Maximum flow rate in the free lines		100
Drain flow rate		< 0,8
Ambient temperature range	°C	-20 / +60
Fluid temperature range	°C	-20 / +80
Fluid viscosity range	cSt	10 + 400
Recommended effective viscosity	cSt	25
Fluid contamination degree	according to ISO 4406:1999 class 20/18/15	
Mass	kg	2,7

HYDRAULIC SYMBOLS



1 - IDENTIFICATION CODE

P	Z	M	5	-		/ 10	/	
----------	----------	----------	----------	----------	--	-------------	----------	--

Pressure reducing valve, pilot operated

Modular version _____

Size ISO 4401-05 _____

Versions: _____

P = pressure reduction in P. Internal drain to line T_B
PA = pressure reduction in line P-A when line B is connected to the tank; full pressure in line P-B
PB = pressure reduction in line P-B when line A is connected to the tank; full pressure in line P-A.

Option: **K** = Adjustment knob.
(Omit for adjustment with hex socket screw)

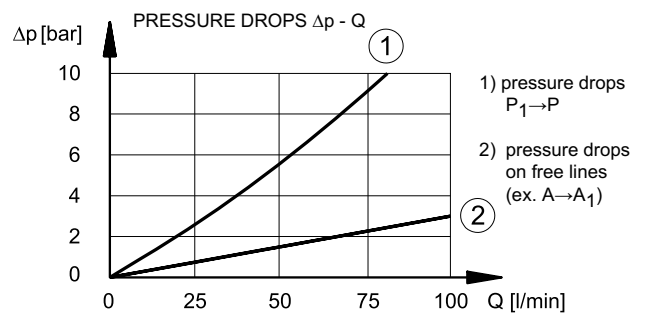
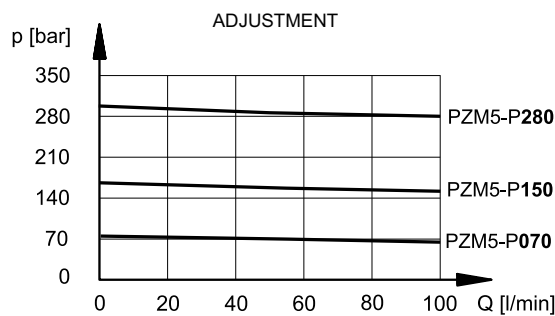
Seals:
N = NBR seals for mineral oils (**standard**)
V = FPM seals for special fluids

Series No. (the overall and mounting dimensions remain unchanged from 10 to 19)

Pressure adjustment range:
070 = 8 ÷ 70 bar **150** = 8 ÷ 150 bar **280** = 8 ÷ 280 bar

2 - CHARACTERISTIC CURVES

(values obtained with viscosity of 36 cSt at 50 °C)



3 - HYDRAULIC FLUIDS

Use mineral oil-based hydraulic fluids HL or HM type, according to ISO 6743-4. For these fluids, use NBR seals. For fluids HFDR type (phosphate esters) use FPM seals (code V). For the use of other kinds of fluid such as HFA, HFB, HFC, please consult our technical department. Using fluids at temperatures higher than 80 °C causes a faster degradation of the fluid and of the seals characteristics. The fluid must be preserved in its physical and chemical characteristics.

4 - OVERALL AND MOUNTING DIMENSIONS

dimensions in mm

1	Locking nut spanner 19
2	Socket hex adjustment screw: Allen key 6. Rotate clockwise to increase pressure
3	Mounting surface with sealing rings: 5 OR type 2050 (12.42x1.78) 90 Shore
4	Pressure gauge port 1/4" BSP
5	Adjustment knob K